

---

# **USER MANUAL**

**MODEL NUMBER:**

**MU-10N-2**

**MU-10NK-2**

**MU-10NV-2**

**AND RELATED UNITS**

**10 Gallon Air Operated Portable Mist  
Equipment**

---

**English (Original Instructions)**

---

## READ ALL INSTRUCTIONS BEFORE OPERATING EQUIPMENT



# WARNING



### Read this manual completely and understand the machine before operating or servicing it.

- Read all instructions before installing or operating unit.
- Always wear appropriate personal protective equipment (PPE) when operating or servicing unit.
- Follow all chemical safety precautions and handling instructions provided by the chemical manufacturer and Safety Data Sheet (SDS).
- Do not exceed an incoming air pressure of 100 psi (6.9 bar).
- Do not exceed a fluid temperature of 100°F (37.8°C).
- Only use clean and dry air. Air must be filtered and free of moisture or pump life will be diminished. If needed, install an air dryer before unit.
- Do not use air lubricator before the unit.

### PROTECT THE ENVIRONMENT

Please dispose of packaging materials, old machine components, and hazardous fluids in an environmentally safe way according to local waste disposal regulations.



Always remember to recycle.

\*Specifications and parts are subject to change without notice.

### Specifications:

Liquid Temperature ..... 40°F to 100°F (4.4°C to 37.8°C)  
Droplet size: ..... 20 microns at 50 psi

1 liter of solution will cover approximately 1000 cubic feet (up to system max of 38,000 cubic feet).\*

A full tank of solution will supply the unit for approximately 1.5 hours.\*

\*NOTE: Area covered and run time may vary based on humidity, air flow, and product used.

### Dimensions and Weight:

Length: ..... 19 in (482 mm) approximately  
Width: ..... 16 in (406 mm) approximately  
Height: ..... 42 in (1066 mm) approximately  
Weight (empty): ..... 31 lbs (14 kg) approximately

### Requirements:

Air pressure required: 50 psi (3.4 bar)

Air volume required: 7 CFM at 50 psi (198.3 l/min at 3.4 bar)

Chemical Requirements: Follow all instructions from chemical manufacturer and Safety Data Sheet (SDS).

### Air Operated Double Diaphragm Pump Models Offered:

P56: Polypropylene body with Santoprene diaphragm

P56V: Polypropylene body with Viton diaphragm

P56K: Polypropylene body with Kalrez diaphragm

## READ ALL INSTRUCTIONS BEFORE OPERATING EQUIPMENT

### Operation Instructions:

Always follow all chemical safety precautions and handling instructions provided by the chemical manufacturer and Safety Data Sheet (SDS).

1. Follow all instructions from chemical manufacturer. Fill the tank with water and the advised percentage of chemical concentrate.
2. Place the unit in the area to be fogged.
3. Ensure the air supply valve is in the closed position, and connect a compressed air line to the air inlet fitting.
4. Open the air supply valve to activate the unit.
5. Evacuate the area.
6. After the unit has stopped fogging, observe all appropriate safety precautions before reentering area. Close the air supply valve and disconnect the compressed air line from the unit.

### After Use Instructions:

1. Thoroughly flush the unit with fresh water.
2. Disconnect the air line from the air fitting.

### Maintenance Instructions:

To keep your portable unit operating properly, periodically perform the following maintenance procedures:

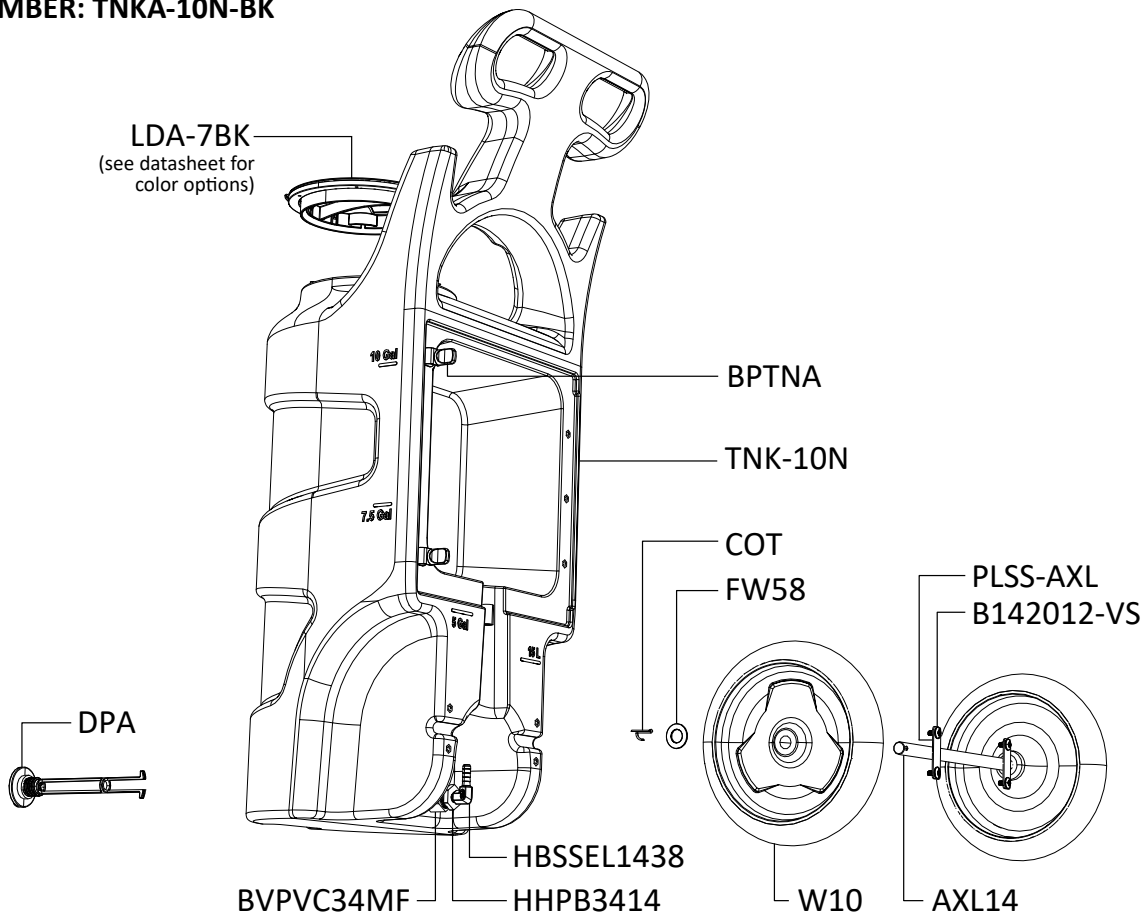
- Check the air pump for wear and leaks.
- Inspect hoses for leaks or excessive wear. Make sure all hose clamps are in good condition and properly secured.
- Check the suction tube and screen for debris and clean as needed.
- Drain compressor tank on a regular basis to ensure proper operation of pump.

### Troubleshooting Instructions:

- If air passes through the pump without cycling, the pump needs to be replaced.
- Check the chemical suction line and strainer for debris or damage. Clean or replace as needed. To prevent damage to the unit, the strainer must always be used.
- Check for proper air pressure on air gauge. Air regulator is factory set at 50 psi (3.4 bar).
- If the unit foams at a reduced pressure:
  - o Check the air compressor supplying the unit. If the pressure is less than 40 psi, turn the foam unit off until the compressor can catch up.
  - o If the air supply is 50 psi (3.4 bar) or above, check the air gauge, which should read near 50 psi (3.4 bar). If the air gauge is more or less than 50 psi (3.4 bar), adjust the pressure by turning the knob on the top of the air regulator.

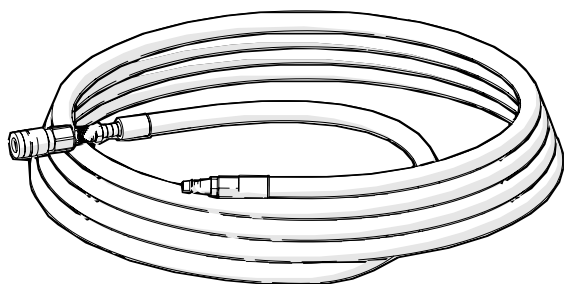
# READ ALL INSTRUCTIONS BEFORE OPERATING EQUIPMENT

## TANK ASSEMBLY ITEM NUMBER: TNKA-10N-BK

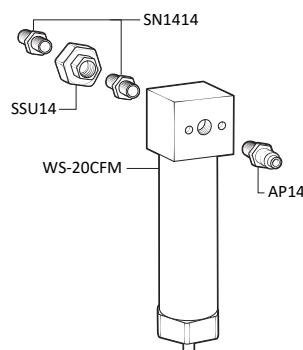


## OPTIONAL COMPONENTS

### AIR HOSE ASSEMBLY ITEM NUMBER: AHABL-30

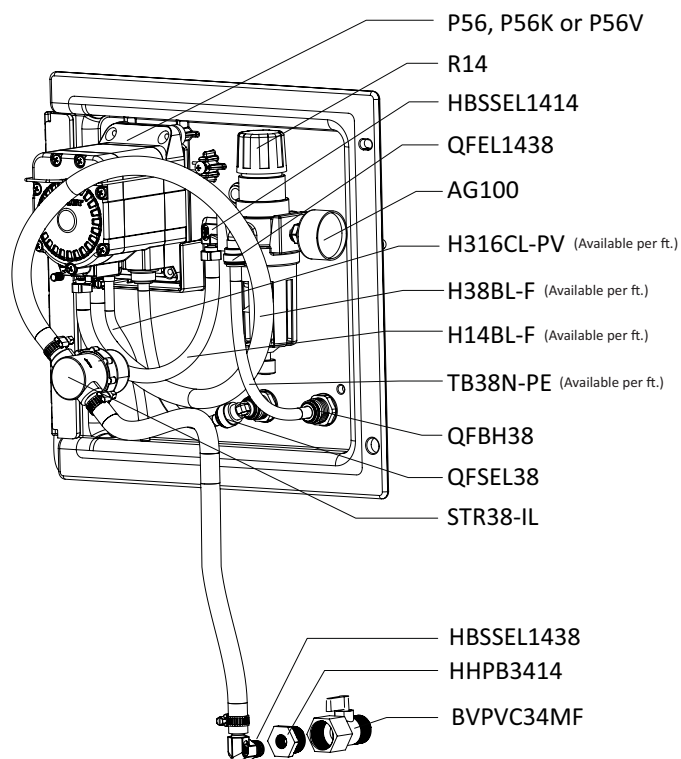


### WATER SEPARATOR ITEM NUMBER: WSA-20CFM

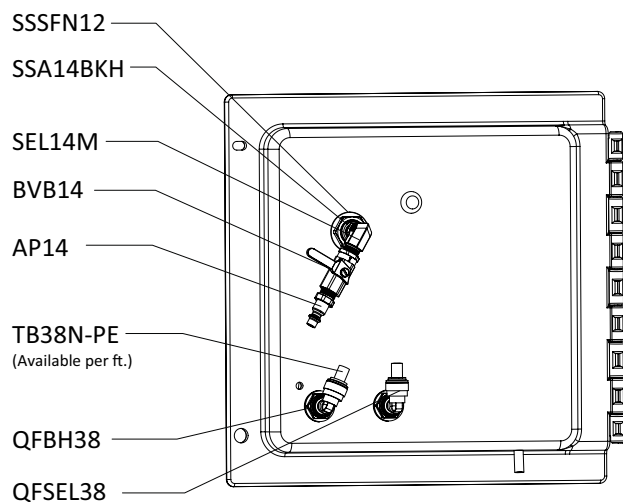


**READ ALL INSTRUCTIONS BEFORE OPERATING EQUIPMENT**

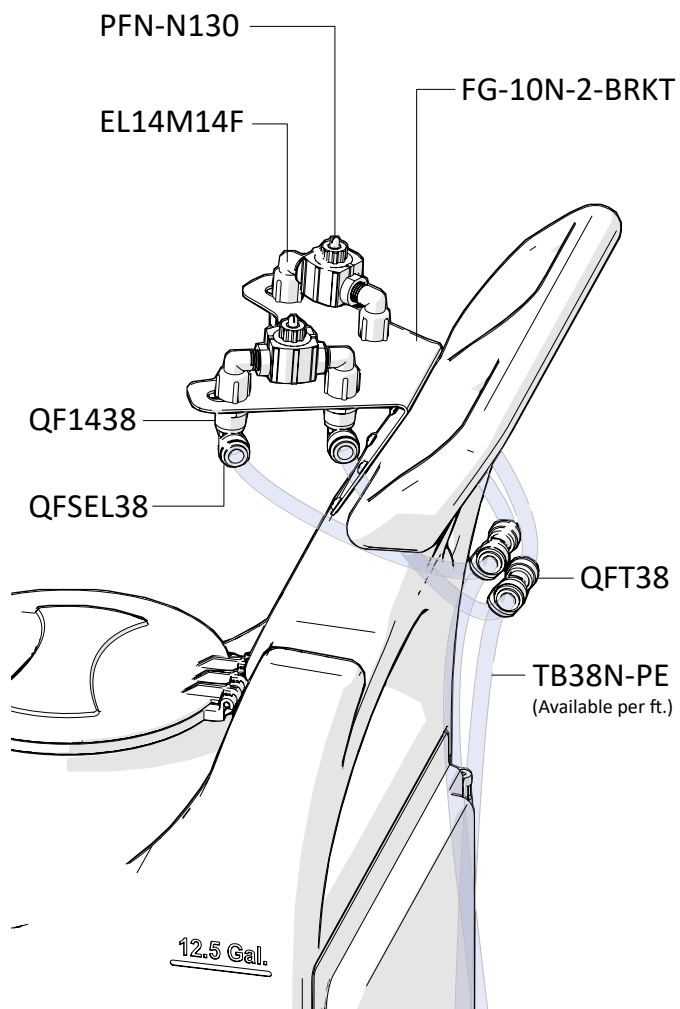
**Plate - Inside View**



**Plate - Back View**



**MIST NOZZLE ASSEMBLY**



## READ ALL INSTRUCTIONS BEFORE OPERATING EQUIPMENT

ITEM NUMBER	DESCRIPTION
AG100	AIR GAUGE - ½ IN. NPT - 100 PSI DRY MODEL
AHABL-30	30 FT. OF ¾ IN. BLUE HOSE WITH FERRULED AIR QUICK CONNECT FITTINGS
AP14	AIR FITTING ¼ MPT X PLUG-NICKEL-PLATED BRASS
AXL14	AXLE - STAINLESS - 0.625 DIA X 14.5 IN.
B142012-VS	¼-20 X ½ IN. BOLT - STAINLESS - TRUSS HEAD PHILLIPS - VIBRA-SEAL
BPTNA	BACK PLATE THUMB NUT ASSEMBLY - INCLUDES BOLT, THUMB NUT, AND TETHER
<i>BST1420118-VS</i>	¼-20 X 1 ¼ IN. SET BOLT - STAINLESS - VIBRASEAL
<i>TN1420</i>	¼-20 THUMB NUT - BRASS INSERT - ASSEMBLED WITH TETHER
BRKT-P56	PUMP BRACKET- STAINLESS STEEL
BVB14	AIR INLET VALVE - VA BRS 025-4F4F-BT, NICKEL
BVPVC34MF	BALL VALVE - PVC - 3/4 NPT TO 3/4 FNPT - EPDM SEAL
COT	COTTER PIN - STAINLESS - 1/8 IN. DIA. X 1 IN. LONG
DPA	DRAIN PLUG ASSEMBLY - INCLUDES GASKET
EC14	OETIKER EAR CLAMP FOR ¼ IN. HOSE
EL14M14F	¼ FEM PIPE X ¼ M PIPE ELBOW
FG-10N-2-BRKT	BRACKET FOR FG-10N-2
FW58	FLAT WASHER FOR ¾ IN. PIPE - STAINLESS - 0.687 ID X 1.5 OD X 0.07 THK
FW14NPT	FLAT WASHER FOR ¼ IN. NPT - STAINLESS - 0.57 IN. ID X 1.28 IN. OD X 0.08 IN. THK
H14BL-F	¼ INCH BLUE HOSE-HYBRID TPE-AVAILABLE PER FT.
H316CL-PV	¾ IN. ID ¾ IN. OD CLEAR HOSE - PVC - AVAILABLE PER FT.
H38BL-F	¾ INCH BLUE HOSE-HYBRID TPE-AVAILABLE PER FT.
HBSEL1414	STAINLESS HOSE BARB ¼ MPT X ¼ BARB ELBOW
HBSEL1438	STAINLESS HOSE BARB ¼ MPT X ¾ BARB ELBOW
HHSB1418	HEX HEAD BUSHING ¼ MPT X ¼ FPT
HHPB3414	HEX HEAD POLY BUSHING ¾ MPT X ¼ FPT
LDA-7BK	LID ASSEMBLY - 7IN POLYPROPYLENE LID WITH FLANGE - BLACK - INCLUDES SS HINGE PIN AND MOUNTING SCREWS
<i>LD-7BK-LID</i>	LID - 7IN - POLYPROPYLENE - BLACK
<i>LD-7BK-FLNG</i>	LID FLANGE - 7IN - POLYPROPYLENE - BLACK
<i>LD-PIN</i>	HINGE PIN FOR 7IN LID AND FLANGE
P56	PUMP WITH SANTOPRENE SEALS - INCLUDES HOSE BARBS, AIR FITTING, AND EXHAUST BARB
P56K	PUMP WITH KALREZ SEALS - INCLUDES HOSE BARBS, AIR FITTING, AND EXHAUST BARB

P56V	PUMP WITH VITON SEALS - INCLUDES HOSE BARBS, AIR FITTING, AND EXHAUST BARB
<i>HBB14P</i>	¼ IN. HOSE BARB - BRASS - FOR G57/P56 AIR FITTING WITH O-RING
<i>HB5638</i>	HOSE BARB FOR P56 PUMP - EPDM O-RING
<i>HB5638K</i>	HOSE BARB FOR P56K PUMP - KALREZ O-RING
<i>HB5638V</i>	HOSE BARB FOR P56V PUMP - VITON O-RING
PFN-N130	PNEUMATIC FOG NOZZLE - POLYPROPYLENE AND KYNAR TIP - 3.7 GAL/HR PER NOZZLE
PLPF	PLATE - PORTABLE FOAM - INCLUDES HOLES AND PUMP MOUNT - HINGE SOLD SEPARATELY
PLPF-PIN	STAINLESS HINGE PIN FOR PORTABLE PLATE
PLSS-AXL	AXLE PLATE - STAINLESS - 2.5 IN. X 1 IN. - 2 HOLES
QF1438	MALE CON. ¾ IN. TUBE X ¼ IN. MPT - POLYPROPYLENE
QF5638	¾ IN. QF PUMP FITTING / G57
QFBH38	BULKHEAD ¾ IN. TUBE POLYPROPYLENE
QFEL1438	FIXED ELBOW ¾ IN. TUBE X ¼ IN. MPT - POLYPROPYLENE
QFSEL38	PLUG-IN ELBOW ¾ IN. TUBE X ¾ IN. POLYPROPYLENE
QFT38	UNION TEE ¾ IN. TUBE POLYPROPYLENE
R14	¼ NPTF REGULATOR W/ FILTER-NO GAUGE
S1034	#10 X ¾ IN. SCREW - STAINLESS - TRUSS HEAD PHILLIPS
S812-FH	#8 X ½ IN. SCREW - STAINLESS - FLAT HEAD PHILLIPS
SEL14M	STAINLESS ELBOW ¼ IN. MPT X ¼ IN. MPT
SN1414	STAINLESS HEX NIPPLE ¼ MPT X ¼ MPT
SSA14BKH	BULKHEAD ADAPTER - STAINLESS - ¼ NPT X ¼ NPSM
SSC38	STAINLESS SCREW BAND CLAMP FOR ¾ IN. HOSE
SSSFN12	SERRATED FLANGE NUT - STAINLESS - ½ IN.
SSU14	STAINLESS STEEL UNION- 1/4 INCH FP
STR38-IL	IN LINE STRAINER 3/8 BARB 20 MESH 304 STAINLESS EDPM GSKT
TB38N-PE	¾ IN. OD NATURAL TUBE - POLYETHYLENE - AVAILABLE PER FT.
TNK-10N	10 GALLON NATURAL TANK
W10	NONMARKING WHEEL FOR PORTABLE UNITS
WS-20CFM	WATER SEPARATOR - 20 CFM - ¼ IN. FPT PORTS