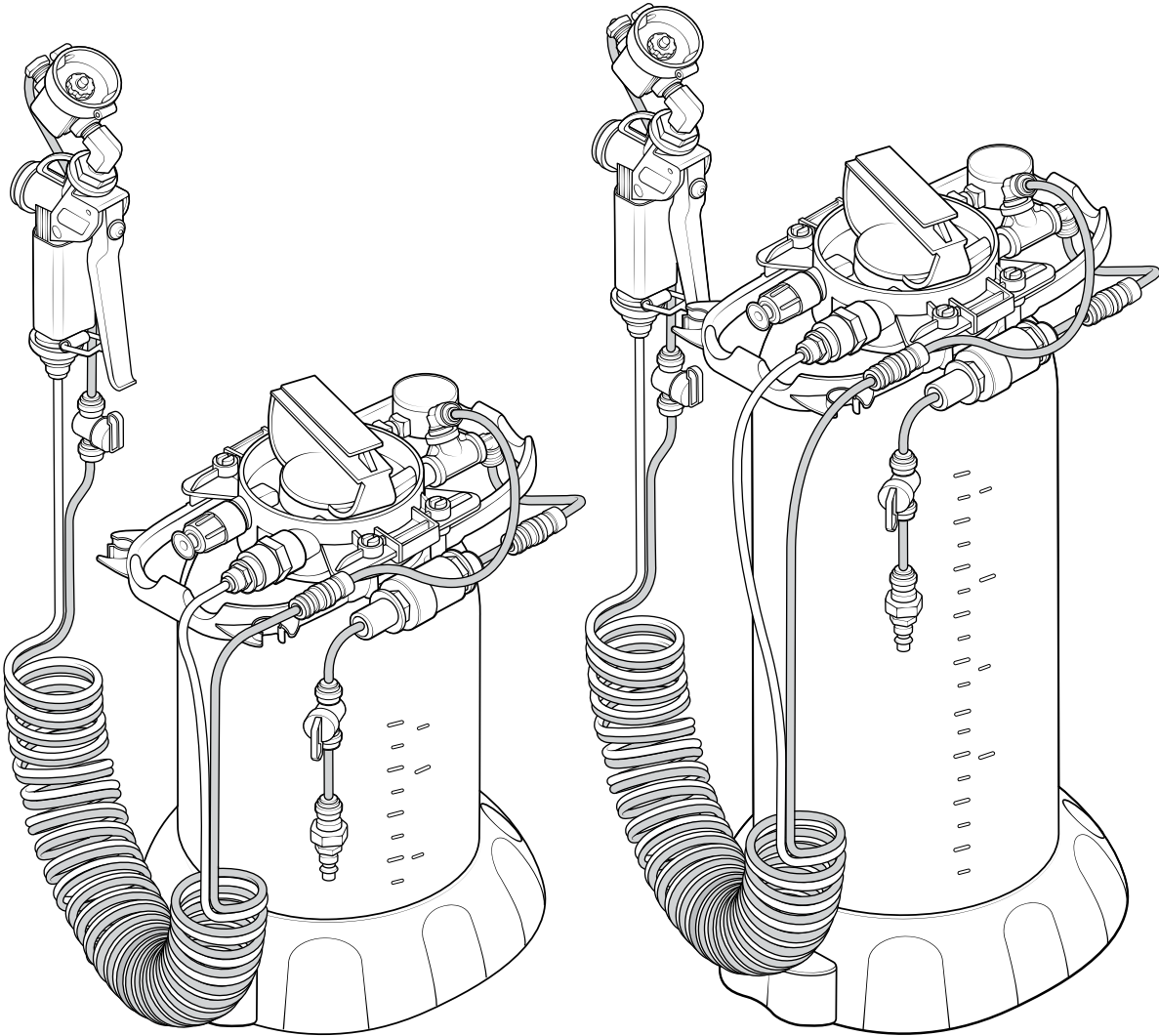


Mist Unit

User Manual

MU50-PSGN130

MU100-PSGN130



MU50-PSGN130

MU100-PSGN130

READ ALL INSTRUCTIONS BEFORE USING OR SERVICING THIS UNIT. KEEP THIS MANUAL IN A LOCATION THAT IS READILY AVAILABLE TO USERS AND SERVICE TECHNICIANS.

English (Original Instructions)



Scan this code
for user manual



Safety

WARNING

PEOPLE OR OBJECTS CAN BE HURT OR DAMAGED IF THIS UNIT IS NOT USED CORRECTLY!



Failure to read all the instructions before operating the unit may result in personal injury or death from the improper use or the chemical solution. Anyone handling, operating or using the unit must read and understand the instructions in the manual. The buyer assumes all responsibility for safety and proper use in accordance with the instructions.



Using or servicing the unit without appropriate personal protective equipment (PPE) may result in serious injury such as burns, rashes, eye, throat or lung damage and death. Always wear PPE as indicated in the Safety Data Sheet (SDS) when using or servicing the unit. Protect eyes, skin, and lungs against drifting spray.



Chemical solutions may pose a health risk and death if they contact the skin or eyes, are inhaled or swallowed. Always read and follow all chemical safety precautions and handling instructions provided by the chemical manufacturer and the SDS associated with the chemical solution before using the unit.

Pressure within the equipment may cause an unexpected release of the chemical solution and cause serious injury such as burns, rashes, eye damage, throat or lung damage and death. Always depressurize and clean the unit after each use. Never leave the unit unattended while pressurized.



Using the unit with fluid temperatures above 100°F (37.8°C) may result in scalding, burns, serious injury or death. DO NOT use a solution with a temperature above 100°F (37.8°C).

Operating the unit when damaged or leaking may result in exposure to chemical solutions, serious injury or death. Never use the unit if it is damaged or leaking.

Never point the discharge wand at yourself, another person, or any object you do not want covered in chemical.



Using incoming air pressure exceeding 100 psi (6.9 bar) may result in pressure buildup, explosion, serious injury or death. DO NOT exceed 100 psi (6.9 bar) incoming air pressure when operating the unit.

Use of hydrocarbons and flammable products may result in explosions, fire and serious injury or death. Never use hydrocarbons or flammable products with the unit.



Mixing an alkaline with an acid may result in a chemical reaction. Overheating of the mixture may cause it to splatter caustic compounds or release hazardous fumes, gas and vapors. Always flush the unit with fresh water thoroughly when switching from an alkaline to an acid or an acid to an alkaline.

NOTICE

Servicing, or modification, of this unit with parts not listed in this manual may cause the unit to operate improperly. Do not use unauthorized parts when servicing the unit.

Use of an air lubricator before the unit may result in diminished performance and damage to the unit. Do not use an air lubricator before the unit. Moisture in the air lines may damage the pump and diminish the units life. The air must be filtered, clean, dry and free of moisture. If needed, install an air dryer before the unit.

Only lift and carry unit by the carrying handle. Do not lift or carry the unit by the pump handle, hose, wand, or other components.

PROTECT THE ENVIRONMENT



Please dispose of packaging materials, old machine components, and hazardous fluids in an environmentally safe way according to local waste disposal regulations.

Product Overview

Requirements

Compressed air requirements	40 psi (2.8 bar) with 2-5 cfm (56.6-141.6 l/min)
Liquid temperature range	40-100°F (4.4-37.8°C)
Chemical compatibility	Chemical products used with this equipment must be formulated for this type of application and compatible with unit materials and pump seals. For more information on chemical compatibility, consult the manufacturer or SDS for your product or contact our customer service department.

Specifications

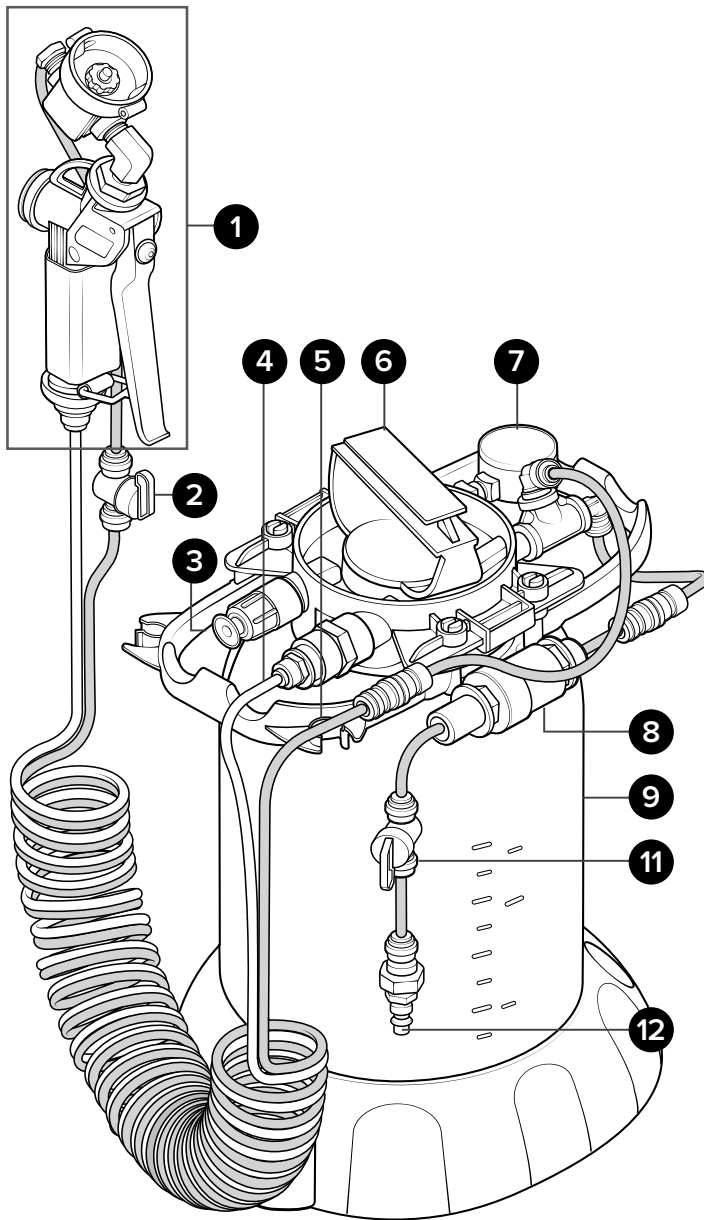
	MU50-PSGN130	MU100-PSGN130
Power type	Compressed air	
Chemical pickup type	Draws from pre-mixed solution	
Number of products unit can draw from	One product	
Capacity	1.3 gallons (5 liters)	2.6 gallons (10 liters)
Discharge line length/diameter	12 ft. (3.6 m) coiled twin-line tubing ¼ in. (6.4 mm outside diameter), red and blue, with 0.16 in. (4.06 mm) inside diameter	
Discharge wand/tip type	Polypropylene trigger handle for liquid output and polypropylene fog/mist nozzle with Kynar tip	
Output distance	3-4.5 ft. (0.9-1.4 m)	
Output volume	8.8 oz./min. at 40 psi	
Flow rate*	8.8 oz./min. at 40 psi	
Pump seals	Viton	
Run time from full tank**	Approximately 19 minutes	Approximately 38 minutes
Nozzle type	Pneumatic fog nozzle	
Number of nozzles	One	

* Dilution rates and flow rates given are based on chemical with viscosity of water and factory air pressure settings.

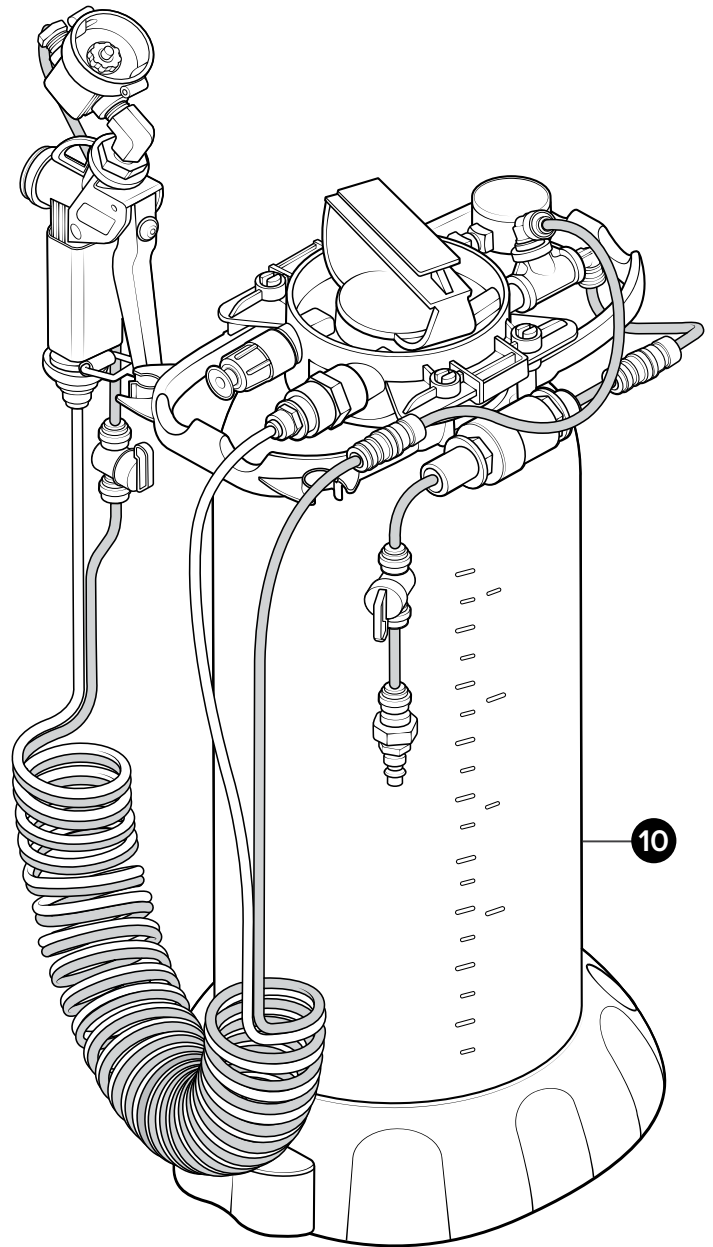
** Area covered and run time may vary based on humidity, air flow, and product used.

Product Components

Get to know the components that you will need to use, adjust or assemble.



MU50-PSGN130



MU100-PSGN130

- | | |
|---------------------------------|------------------------------|
| 1. PSGA-PNZ wand | 7. Air gauge |
| 2. Air discharge shut-off valve | 8. Pressure reducing valve |
| 3. Pressure relief valve | 9. 5 liter tank |
| 4. Discharge hose | 10. 10 liter tank |
| 5. Air supply hose | 11. Air inlet shut-off valve |
| 6. Pump handle | 12. Air fitting |

Using your unit

Operating Instructions

1. Ensure all air pressure is released from unit by pulling the pressure relief valve stem out.
2. Securely hold the unit and unscrew the pump assembly from the tank in a counterclockwise direction.
3. Follow all instructions from chemical manufacturer. Fill tank $\frac{3}{4}$ of the way with pre-mixed solution.

Note: Do not overfill tank with solution.

4. Securely hold the tank and screw the pump assembly back on in a clockwise direction.
5. With the air discharge shut-off valve (a) and air inlet shut-off valve (b) in the closed position, plug an air supply line into the air fitting. The pressure is regulated to 40 psi (2.8 bar) with the pressure reducing valve.

Note: The pressure relief valve will leak if the air pressure is too high. Do not overfill tank with air.

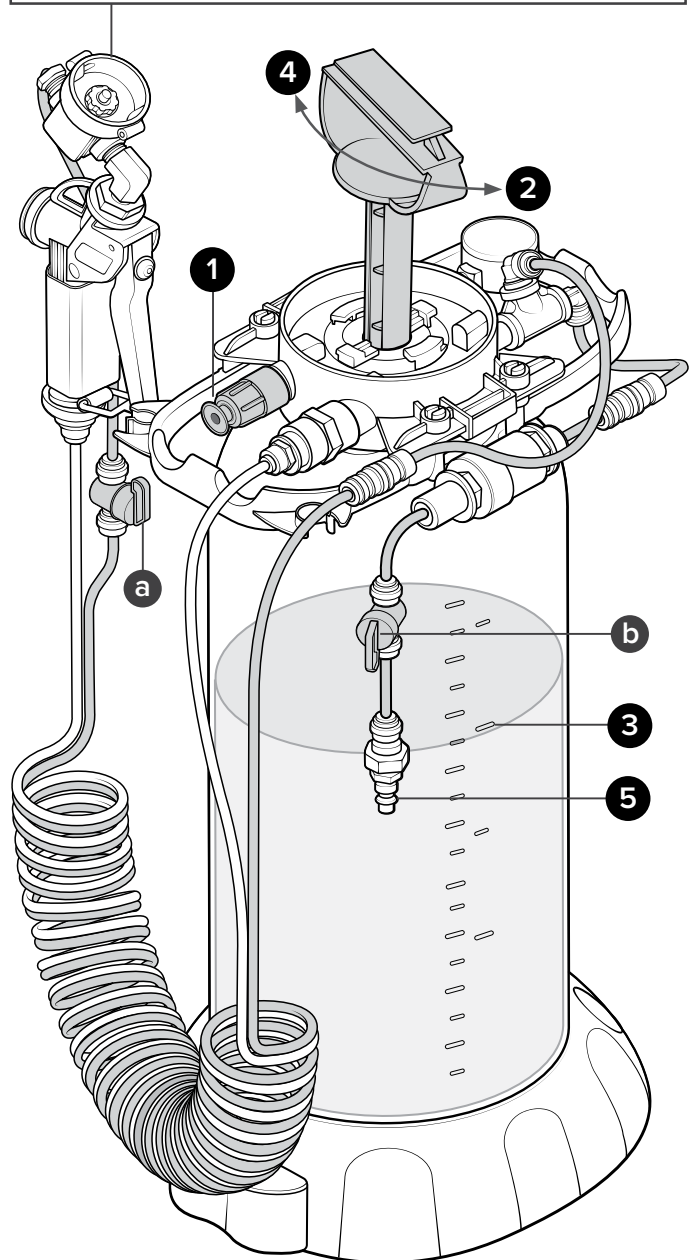
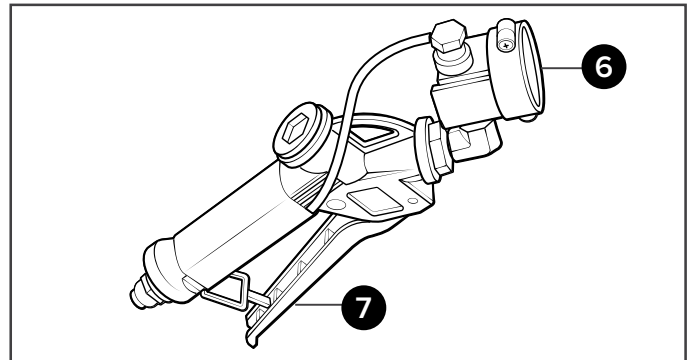
6. Point the discharge wand in a safe direction and open the air discharge shut-off valve (a) and air inlet shut-off valve (b). Then squeeze the trigger handle to begin misting.

Note: Both air valves should be completely open while misting.

7. To stop misting, release the trigger handle and close the air discharge shut-off valve (a).

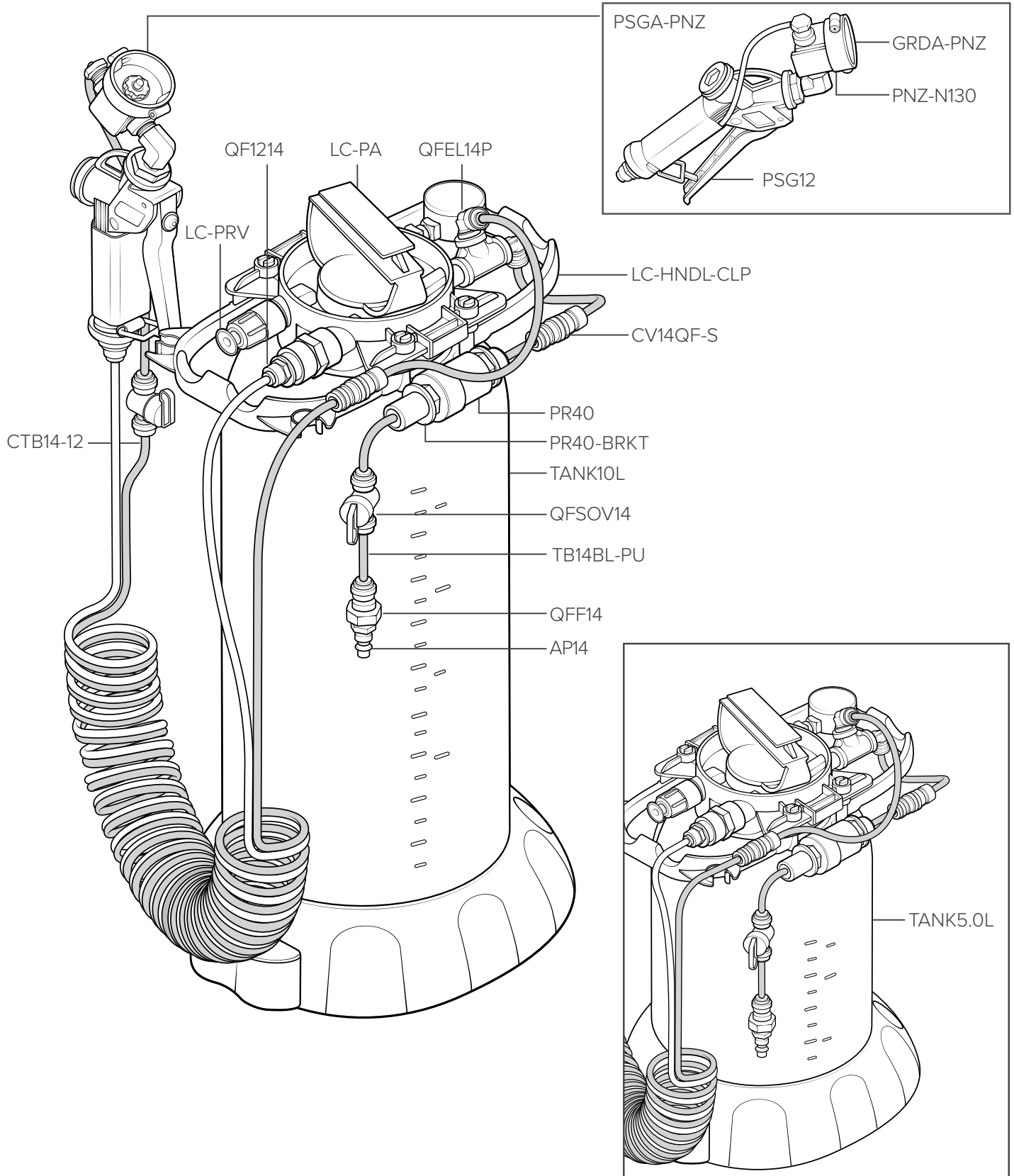
After Use Instructions

8. Disconnect the airline from the air fitting. Release air pressure from unit after each use by activating the pressure relief valve.
9. Flush the unit with fresh water. It is recommended to always empty out remaining solution and run fresh water through the unit to rinse all parts thoroughly after each use and before storage.



MU100-PSGN130

Parts



Item number	Description
AP14	Air fitting - ¼ in. MPT quick disconnect hose coupling plug - nickel-plated brass
CTB14-12	¼ in. od coiled twin line bonded blue and red tube - polyurethane - 12 ft. reach
CV14QF-S	¼ tube x ¼ tube chk quick fit - small
GRDA-PNZ	Guard assembly - for pneumatic nozzle - includes 2 guard halves and hardware
LC-HNDL-CLP	Tank handle for 5L/10L - with clips
LC-PA	Manual pump assembly for 5L/10L - Viton
PNZ-N130	Pneumatic mixing nozzle - polypropylene body - blue kynar tip - 3.7 gal/hr
PR40	Pressure reducing valve - 40 psi
PR40-BRKT	Bracket for PR40
PSG12	Poly spray gun with 2x ½ in. straight thread - gray handle with red clip - 316SS internal spring - includes 2x o-ring
PSGA-PNZ	Poly spray gun assembly - with 1x PZN-N130 pneumatic nozzle - includes nozzle guard
QF1214	Quick fit - ½ MPT x ¼ od tube - polypropylene
QFEL14P	Fixed elbow ¼ in. tube x ¼ in. MPT - polypropylene
QFF14	Female adapter ¼ in. tube x ¼ in NPTF polypropylene
QFSOV14	Shut off valve ¼ in. tube - polypropylene
TANK5.0L	5 liter tank
TANK10L	10 liter tank
TB14BL-PU	¼ in. od blue tube - polyurethane - available per ft.