

---

# **USER MANUAL**

**MODEL NUMBER:  
FI-EZB-15NV**

**EZBlend™ Foam Unit**

---

**English (Original Instructions)**

---

## READ ALL INSTRUCTIONS BEFORE OPERATING EQUIPMENT



# WARNING



**Read this manual completely and understand the machine before operating or servicing it.**

- Read all instructions before installing or operating unit.
- Always wear appropriate personal protective equipment (PPE) when operating or servicing unit.
- Always follow all chemical safety precautions and handling instructions provided by the chemical manufacturer and Safety Data Sheet (SDS).
- If this unit is modified or serviced with parts not listed in this manual, dilution rates may vary, or the unit may not operate correctly.
- Never point the discharge wand at yourself, another person, or any object you do not want covered in chemical.
- Always depressurize unit after use (as described in the After Use Instructions). Always store unit depressurized, with the discharge ball valve in the closed position.
- Do not exceed an incoming air pressure of 100 psi (6.9 bar).
- Do not exceed a fluid temperature of 100°F (37.8°C).
- Only use clean and dry air. Air must be filtered and free of moisture or pump life will be diminished. If needed, install a water separator before the unit.
- Do not use an air lubricator before the unit.

### PROTECT THE ENVIRONMENT

Please dispose of packaging materials, old machine components, and hazardous fluids in an environmentally safe way according to local waste disposal regulations.



Always remember to recycle.

\*Specifications and parts are subject to change without notice.

REQUIREMENTS	
Compressed air requirements	60 psi (4.1 bar) with 5-10 cfm (141.6-283.2 l/min)
Liquid temperature range	40-100°F (4.4-37.8°C)
Chemical compatibility	This unit is specifically configured for use with Sterilex liquid products.

SPECIFICATIONS	
Power type	Compressed air
Chemical pickup type	Draws from concentrated product
Dilution ratio range (Chemical A:Chemical B:Water)*	12.8-16 fl. oz. : 12.8-16 fl. oz. : 1 gallon (378.5-473.2 ml : 378.5-473.2 ml : 3.78 liters)
Number of products unit can draw from	Two products, simultaneously
Suction line length/diameter	Two transparent suction lines, one blue and one green, each 4 ft. (1.2 m) long with 1/4 in. (6.4 mm) inside diameter; with quick disconnect fittings for chemical jugs
Capacity	15 gallons (56.8 liters) of water; Up to 10 gallons (37.9 liters) of concentrate
Discharge hose diameter/length	30 ft. (9 m) hose, with 3/4 in. (19 mm) inside diameter
Discharge wand/tip type	12 in. (30.48 cm) stainless steel wand and ball valve with 65° fan tip; includes stainless quick connects
Output distance	10-12 ft. (3-4.6 m)
Output volume	15-20 gal/min (56.8-75.7 l/min)
Flow rate*	2 gal/min (7.6 l/min)
Pump seals	Viton
Wheel type	Two 10 inch non-marking wheels, two 5 inch casters, one with lock

\*Dilution rates and flow rates given are based on chemical with viscosity of water and factory air pressure settings.

## READ ALL INSTRUCTIONS BEFORE OPERATING EQUIPMENT

### SPECIAL INSTRUCTIONS

This unit is specifically designed for use with Sterilex two-part liquid products. The unit is calibrated to achieve dilution rates as recommended by Sterilex of 12.8oz-16oz Solution 1: 12.8oz-16oz Solution 2: 1 gal water. One jug with a blue cap is labeled “Solution 1/Disinfectant Products” and should only be used with those Sterilex products categorized as “Solution 1/Disinfectant” products below. The other jug with a green cap is labeled “Solution 2/Activator Products” and should only be used with those Sterilex products categorized as “Solution 2/Activator” products below. Modifications to the unit will result in varied dilution rates that may minimize effectiveness of solutions or result in off label product usage.

ALWAYS AFFIX STERILEX CHEMICAL JUG TAGS TO EACH JUG. CONTACT YOUR STERILEX PRODUCT CHEMICAL VENDOR FOR JUG TAGS.

### ACCEPTABLE PRODUCTS

Sterilex “Solution 1/Disinfectant” Products	Sterilex “Solution 2/Activator” Products
Sterilex® Ultra Disinfectant Cleaner Solution 1 (US)	Sterilex® Ultra Activator Solution (US)
Sterilex® Ultra CIP (US)	Ultra Soft Metal Activator (US)
Sterilex® Ultra-Kleen Solution: Solution 1 (Canada)	Sterilex® Ultra-Kleen Solution: Solution 2 (Canada)
Sterilex® Ultra Soft Metal Disinfectant Cleaner (Canada)	Sterilex® Ultra Soft Metal Activator (Canada)

### Operation Instructions:

1. Remove unit from packaging.
2. Using EZBlend Chemical Dispensing Unit or other dispensing system:
  - a. Fill 5 gallon jug with blue cap with Sterilex “Solution 1/Disinfectant” product and secure cap.
  - b. Fill 5 gallon jug with green cap with Sterilex “Solution 2/Activator” product and secure cap.

**NOTE:** Refer to the Acceptable Products chart if needed.
3. Connect the chemical intake lines to the chemical containers.
  - a. Connect the blue chemical intake line to the blue cap jug.
  - b. Connect the green chemical intake line to the green cap jug.
4. Fill the 15 gallon tank with water.
5. Verify that the valve at the base of the suction line is open, to allow fluid into the suction line.
6. With the discharge ball valve in the closed position, plug an air line into the air fitting.
7. Slowly open the discharge ball valve to begin foaming. The discharge ball valve should be completely open while foaming.

8. Unit is pre-set to a standard needle valve setting to deliver product at labeled rate. If adjustment is needed for foam consistency or dilution, see Adjustment for Foam Consistency and Dilution Instructions.
 

**NOTE:** It is a best practice to always confirm chemical dilution with titration after adjusting needle valve. Use titration kit available from Aqua Phoenix Scientific (US part number - TK3319-Z; Canada part number - TK3319FR) when titrating Sterilex products.
9. To stop foaming, close the discharge ball valve. Disconnect the air line from the air fitting and relieve any remaining pressure in the system by opening the discharge ball valve.

### After Use Instructions:

1. Thoroughly flush the unit with fresh water.
2. Disconnect both blue and green chemical intake lines from the chemical jugs.
3. Connect the air line to the air fitting and open the discharge ball valve to dispense water for at least one minute.
4. Close the discharge ball valve. Disconnect the air line from the air fitting and relieve any remaining pressure in the system by opening the discharge ball valve.
5. Close the ball valve after all pressure has been relieved from the system. Store the unit with the discharge ball valve in the closed position.

## READ ALL INSTRUCTIONS BEFORE OPERATING EQUIPMENT

### Maintenance Instructions:

To keep your foam unit operating properly, periodically perform the following maintenance procedures:

**Note:** Before performing any maintenance, ensure that the unit has been disconnected from the air and water supply and depressurized according to the After Use Instructions.

- Inspect the pump for wear and leaks.
- Inspect all hoses for leaks or excessive wear. Make sure all hose clamps are in good condition and properly secured.
- Replace the filter located within the air regulator as needed. Clean by unthreading the air regulator bowl from the air regulator.
- Check the chemical metering tips, suction lines and strainer for debris and clean as needed.
- Drain your air compressor tank on a regular basis to help extend pump life. An air source with a high moisture content will accelerate pump wear. **Note:** If your air source has a high moisture content, you may wish to install a water separator before the unit.

### Troubleshooting Instructions:

- Check to ensure that the discharge hose is uncoiled properly, and that there are no kinks that could obstruct fluid flow.
- Check the air regulator bowl and air filter for debris such as water, oil, or rust particles. Clean by unthreading the air regulator bowl from the air regulator.
- If the needle valve is open too far, the pump may cycle improperly due to lack of air pressure.
- If air passes through the pump without cycling, the pump needs to be replaced.
- If solution backs up into the air regulator bowl, the check valve needs to be replaced.
- If foam comes out wet, no matter where the needle valve is positioned, the check valve may need to be replaced.
- Check for proper air pressure on the air gauge. The air regulator is factory set at 60 psi (4.1 bar). Operating pressure is 60 psi (4.1 bar) with 5 to 10 cfm (141.6 to 283.2 l/min).
- If the unit operates at a reduced pressure:
  - Check the air compressor supplying the unit. If the pressure is less than 60 psi, turn the unit off until the compressor can catch up.
  - If the air supply is 60 psi (4.1 bar) or above, check the air gauge, which should read near 60 psi (4.1 bar). If the air gauge reads more or less than 60 psi (4.1 bar), adjust the pressure by turning the knob on the top of the air regulator.

- If both of the above are okay, the stainless steel mixing mesh could be plugged. Remove and clean it by following the instructions below:
  1. Be sure the foam unit is not plugged into an air supply and be sure to relieve all stored pressure in the unit by having the ball valve in the open position.
  2. Remove the stainless hose barb from the tee fitting.
  3. Remove the screen and the mixing mesh from inside the tee fitting.
  4. Clean any particles from the mixing mesh and the screen.
  5. Replace the mixing mesh and then the screen into the back of the tee and screw the stainless adaptor back into the tee. It is recommended to use a pipe thread sealant when reinstalling the stainless adaptor back into the tee fitting. If the mixing mesh has a lot of foreign particles in it, make sure the strainer is still in place.
- Check the chemical metering tips, suction lines and strainer for debris or damage. Clean or replace as needed. To prevent damage to the unit, the strainer must always be used.
- If concentrated product is back flowing into the water tank, the check valve needs to be replaced.

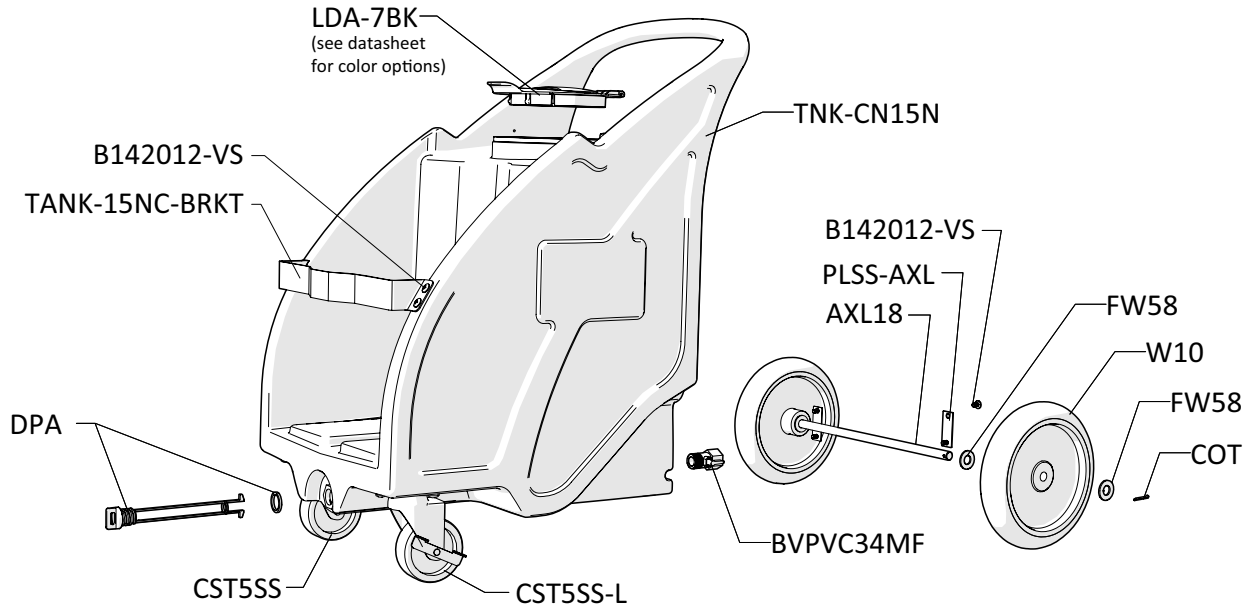
### Adjustment for Foam Consistency and Dilution Instructions:

**Note:** Always confirm chemical dilution with titration after adjusting needle valve.

- If needle valve adjustment is needed for better foam consistency, while the unit is running and discharging product, adjust the needle valve as needed to regulate the wetness or dryness of the foam following the steps.
  - For minor adjustment, turn the needle valve handle in  $\frac{1}{8}$  turn increments allowing 30 seconds between adjustments, until desired consistency of foam is achieved.
  - Open needle valve in counter-clockwise direction for dryer foam.
  - Close needle valve in clockwise direction for wetter foam.
- If your dilution is not within the labeled rate:
  - To decrease concentration, open needle valve counter-clockwise.
  - To increase concentration, close needle valve clockwise.

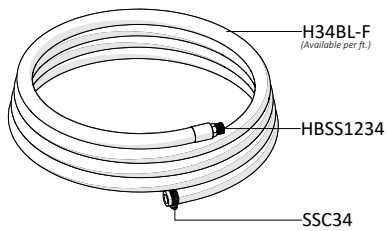
**READ ALL INSTRUCTIONS BEFORE OPERATING EQUIPMENT**

**TANK ASSEMBLY**

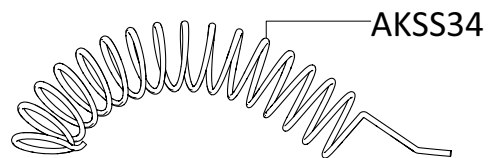


**HOSE AND WAND ASSEMBLY**

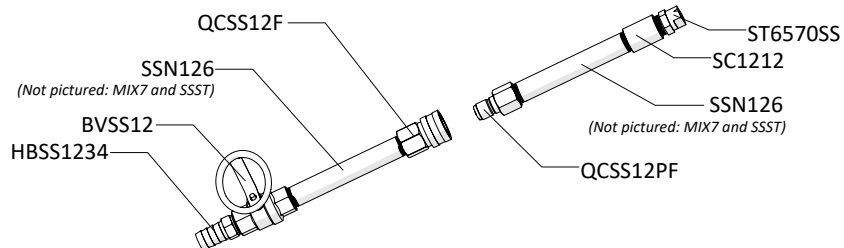
30 ft (9 m) HOSE ASSEMBLY  
ITEM NUMBER: HA34BL-30



ANTI-KINK SPRING WITH RETAINING PIN  
ITEM NUMBER: AKSS34

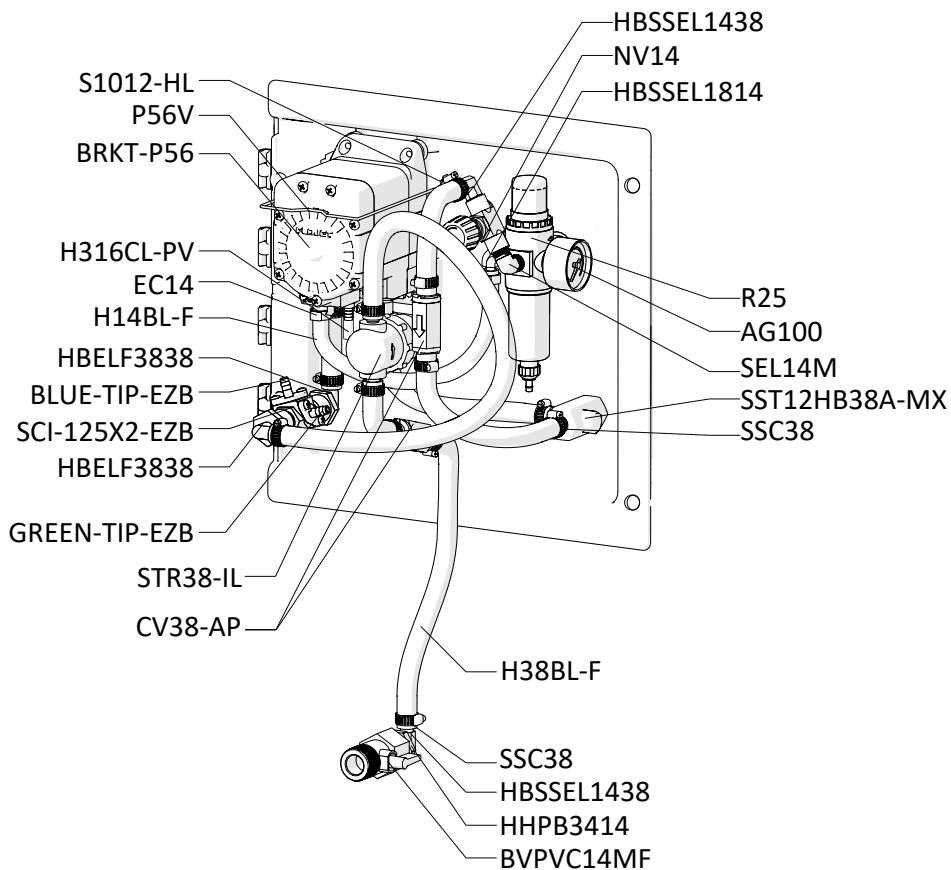


WAND ASSEMBLY  
ITEM NUMBER: SSWA-EZB

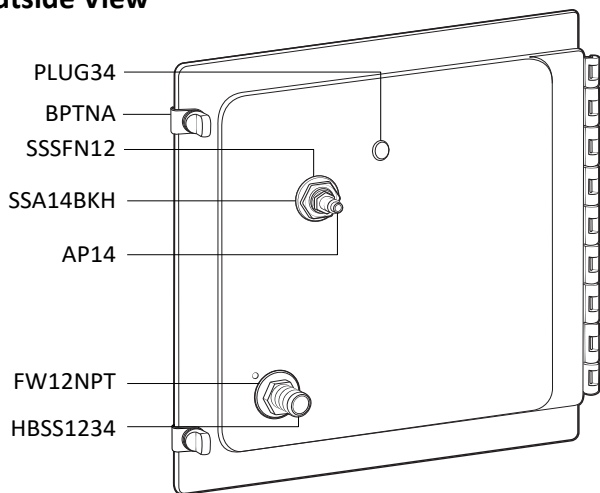


## READ ALL INSTRUCTIONS BEFORE OPERATING EQUIPMENT

### BACK PLATE ASSEMBLY Inside View

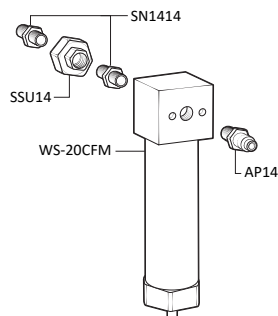


### BACK PLATE ASSEMBLY Outside View

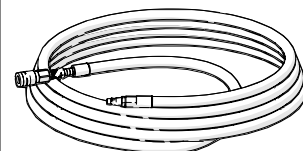


### OPTIONAL COMPONENTS

WATER SEPARATOR ASSEMBLY  
ITEM NUMBER: WSA-20CFM



30 ft (9 m) AIR HOSE ASSEMBLY  
ITEM NUMBER: AHABL-30

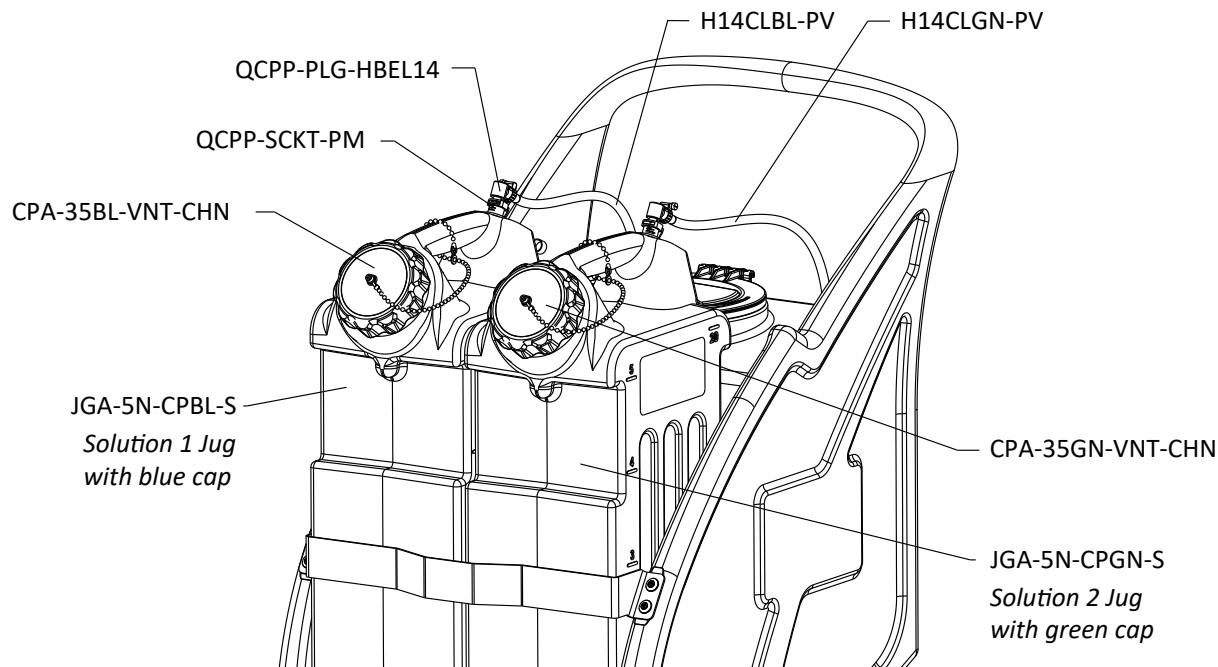


## READ ALL INSTRUCTIONS BEFORE OPERATING EQUIPMENT

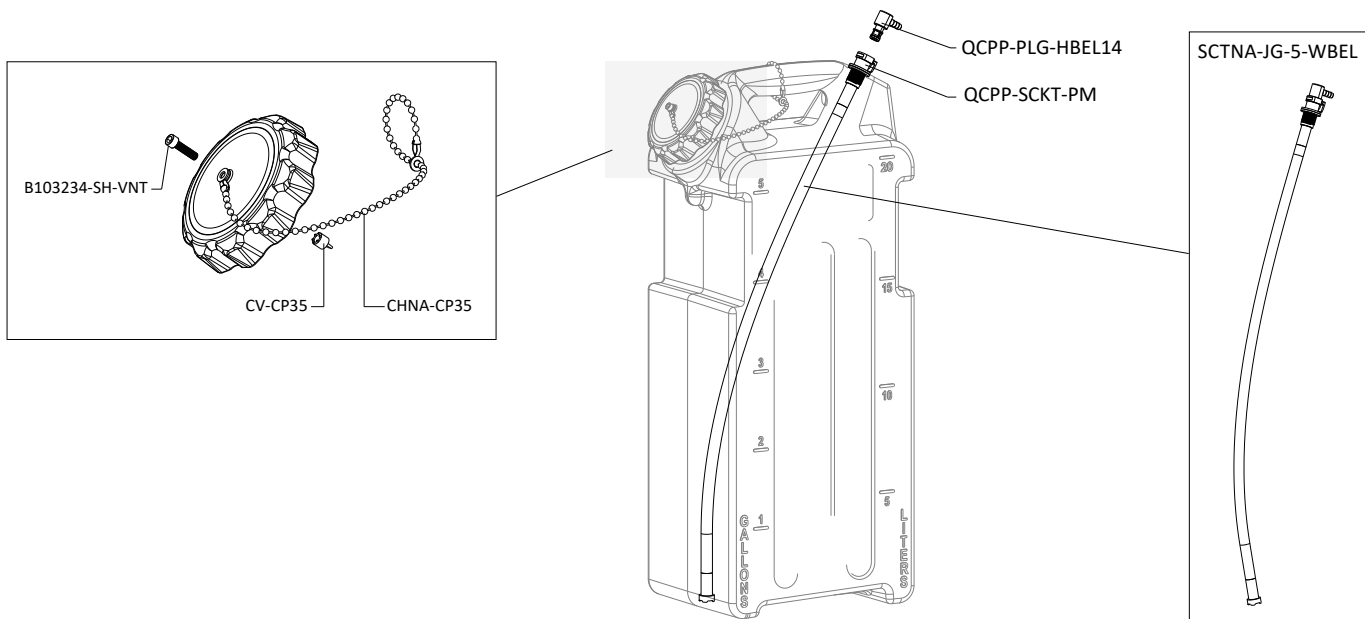
### CHEMICAL JUGS

Solution 1 Jug: JGA-5N-CPBL-S

Solution 2 Jug: JGA-5N-CPGN-S



### JUG ASSEMBLY



## READ ALL INSTRUCTIONS BEFORE OPERATING EQUIPMENT

ITEM NUMBER	DESCRIPTION
AG100	AIR GAUGE-1/8IN NPT-100 PSI DRY MODEL
AHABL-30	AIR HOSE ASSEMBLY - 30FT OF 3/8IN BLUE HOSE WITH FERRULED AIR QUICK CONNECT FITTINGS
AKSS34	SS ANTI-KINK SPRING FOR 3/4 INCH HOSE
AP14	AIR FITTING 1/4 MPT X PLUG-NICKEL-PLATED BRASS
AXL18	AXLE-STAINLESS-0.625 DIA X 18.31 IN
B103234-SH-VNT	10-32 X 3/4IN BOLT - STAINLESS - SOCKET HEAD - VENTED
B142012-VS	1/4-20 X 1/2IN BOLT-STAINLESS-TRUSS HEAD PHILLIPS-VIBRASEAL
B142058-VS	1/4-20 X 5/8IN BOLT-STAINLESS-TRUSS HEAD PHILLIPS-VIBRASEAL
BLUE-TIP-EZB	BLUE METERING TIP FOR EZB APPLICATION
BPTNA	BACK PLATE THUMB NUT ASSEMBLY - INCLUDES BOLT, THUMB NUT, AND TETHER
<i>BST1420118-VS</i>	1/4-20 X 1 1/8IN SET BOLT - STAINLESS - VIBRASEAL
<i>TN1420</i>	¼-20 THUMB NUT - BRASS INSERT - ASSEMBLED WITH TETHER
BRKT-P56	PUMP BRACKET- STAINLESS STEEL
BVPVC34MF	BALL VALVE - PVC - 3/4 NPT TO 3/4 FNPT - EPDM SEAL
BVSS12	STAINLESS BALL VALVE-1/2IN NPT
CHNA-CP35	CHAIN ASM - BEAD CHAIN WITH SCREW MOUNT LINKS - FOR CP35 CAP TO JUG
COT	COTTER PIN-STAINLESS-1/8IN X 1IN
CPA-35BL-VNT-CHN	CAP ASSEMBLY - 3.5IN PP - BLUE - VENTED - EPDM CHECK VALVE - SS BEAD CHAIN TETHER - EPDM GASKET
CPA-35GN-VNT-CHN	CAP ASSEMBLY - 3.5IN PP - GREEN - VENTED - EPDM CHECK VALVE - SS BEAD CHAIN TETHER - EPDM GASKET
CST5SS	SWIVEL CASTER-STAINLESS-5IN CLEARANCE-4IN WHEEL
CST5SS-L	SWIVEL CASTER-STAINLESS-5IN CLEARANCE-4IN WHEEL-WITH LOCK
CV38-AP	CHECK VALVE-3/8IN BARBS-PVC BODY-HASTELLOY SPRING-TEFLON BALL-WHITE
CV-CP35	CHECK VALVE - BLACK EPDM - FOR CP35 CAP TO JUG
DPA	DRAIN PLUG ASSEMBLY - INCLUDES GASKET
EC14	OETIKER EAR CLAMP FOR 1/4IN HOSE- STAINLESS
EC34	OETIKER EAR CLAMP FOR 3/4IN HOSE- STAINLESS
F34SS	STAINLESS CRIMP FERRULE FOR 3/4IN HOSE
FW58	FLAT WASHER FOR 5/8IN OD PIPE OR AXLE - STAINLESS - 0.64IN ID X 1.2IN OD X 0.05IN THK
FW12NPT	FLAT WASHER FOR 1/2IN NPT - STAINLESS - 0.88IN ID X 1.5IN OD X 0.05IN THK
FWNV14	FLAT WASHER FOR NV14 - STAINLESS - 0.52IN ID X 0.88IN OD X 0.03IN THK
GREEN-TIP-EZB	GREEN METERING TIP FOR EZB APPLICATION
GSKT-CP35	GASKET - EPDM - FOR 3.5IN CAPS
H14BL-F	1/4IN BLUE HOSE-HYBRID TPE-AVAILABLE PER FT

H14CL-PV	1/4IN ID 3/8IN OD CLEAR HOSE - PVC - AVAILABLE PER FT
H14CLBL-PV	1/4IN ID 3/8IN OD CLEAR BLUE HOSE - PVC - AVAILABLE PER FT
H14CLGN-PV	1/4IN ID 3/8IN OD CLEAR GREEN HOSE - PVC - AVAILABLE PER FT
H316CL-PV	3/16IN ID 5/16IN OD CLEAR HOSE - PVC - AVAILABLE PER FT
H34BL-F	3/4IN BLUE HOSE-HYBRID TPE-AVAILABLE PER FT
H38BL-F	3/8IN BLUE HOSE-HYBRID TPE-AVAILABLE PER FT
H38CL-PV	3/8IN ID 3/8IN OD CLEAR HOSE - PVC - AVAILABLE PER FT
HBELF3838	HOSE BARB ELBOW 3/8" BY FPT 3/8"
HBSS1234	STAINLESS HOSE BARB 1/2 MPT X 3/4 BARB
HBSS1438	STAINLESS HOSE BARB 1/4 MPT X 3/8 BARB
HBSSEL1438	STAINLESS HOSE BARB 1/4 MPT X 3/8 BARB ELBOW
HBSSEL1814	STAINLESS HOSE BARB 1/8 MPT X 1/4 BARB ELBOW
HHPB3414	HEX HEAD POLY BUSHING 3/4 MPT X 1/4 FPT
JG-5N	5 GALLON NATURAL CHEMICAL JUG
LDA-7BK	LID ASSEMBLY - 7IN POLYPROPYLENE LID WITH FLANGE - BLACK - INCLUDES SS HINGE PIN AND MOUNTING SCREWS
<i>LD-7BK-LID</i>	LID - 7IN - POLYPROPYLENE - BLACK
<i>LD-7BK-FLNG</i>	LID FLANGE - 7IN - POLYPROPYLENE - BLACK
<i>LD-PIN</i>	HINGE PIN FOR 7IN LID AND FLANGE
MIX7	7 INCH WIRE TWISTED BRUSH-STAINLESS STEEL-13.5IN OVERALL LENGTH
NV14	NEEDLE VALVE-1/4IN NPT-INCLUDES BLACK KNOB
P203CT-FS	FOOT STRAINER FOR THE P203CT
P56V	PUMP WITH VITON SEALS - INCLUDES HOSE BARBS, AIR FITTING, AND EXHAUST BARB
<i>HBB14P</i>	1/4IN HOSE BARB-BRASS-FOR G57/P56 AIR FITTING WITH O-RING
<i>HB5638V</i>	HOSE BARB FOR P56V PUMP
PLPF-H	HINGE FOR PLPF
PLPF-PIN	STAINLESS HINGE PIN FOR PORTABLE PLATE
PLSS-AXL	AXLE PLATE-STAINLESS-2.5 IN X 1 IN-2 HOLES
PLUG34	TUBING PLUG 3/4 ( FITS 11/16 HOLE)
QCPP-PLG-HBEL14	QUICK CONNECT PLUG - PP BODY WITH HASTELLOY SPRING - ELBOW BARB FOR 1/4IN ID HOSE
QCPP-SCKT-PM	QUICK CONNECT SOCKET - PP BODY WITH HASTELLOY SPRING - BARB FOR 3/8IN ID HOSE - 11/16-24 PANEL MOUNT THREADS
QCSS12F	SS NON CHECK 1/2 IN QUICK CONNECT COUPLER - FPT
QCSS12PF	SS NON CHECK 1/2IN QUICK CONNECT PLUG - FPT
R25	AIR REGULATOR-TWO 1/4IN FPT PORTS-TWO 1/8IN FPT PORTS-INCLUDES FILTER AND BOWL
S1012-HL	10-16 X 1/2 IN SCREW-STAINLESS-HI LO
S812-FH	#8 X 1/2IN SCREW-STAINLESS-FLAT HEAD PHILLIPS
SC1212	S.S. COUPLER 1/2IN BY 1/2IN



## READ ALL INSTRUCTIONS BEFORE OPERATING EQUIPMENT

SCI-125X2-EZB	STAINLESS CHEMICAL INJECTOR-.125 ORFICE-DUAL BARB GREEN & BLUE-EZBLEND
SCTNA-JG-5-WBEL	SUCTION ASM - 5 GAL CHEMICAL JUG - INCLUDES QC BULKHEAD AND HOSE BARB ELBOW FOR 1/4IN ID HOSE AND CLAMP
SEL14M	STAINLESS ELBOW 1/4IN MPT X 1/4IN MPT
SN1212	1/2IN HEX STAINLESS STEEL NIPPLE
SN1414	STAINLESS HEX NIPPLE ¼ MPT X ¼ MPT
SSU14	STAINLESS STEEL UNION - ¼ IN. FPT
SSA14BKH	BULKHEAD ADAPTER-STAINLESS-1/4 NPT X 1/4 NPSM
SSC14	STAINLESS SCREW BAND CLAMP FOR 1/4 IN HOSE
SSC38	STAINLESS SCREW BAND CLAMP FOR 3/8 IN HOSE
SSN126	STAINLESS PIPE NIPPLE 1/2 MPT X 1/2 MPT- 6 IN LONG - SCH 40S
SSSFN12	SERRATED FLANGE NUT-STAINLESS-1/2 IN
SST12HB38A-MX	STAINLESS TEE ASSEMBLY - ½ IN. FPT X ¾ IN. BARB - INCLUDES MIXING MATERIAL AND SCREEN
<i>SST12HB38</i>	STAINLESS TEE ½ FPT ¾ BARB - NO MIXING MATERIAL
<i>MXA- PF</i>	MIXING MATERIAL ASSEMBLY - INCLUDES STAINLESS MESH AND SCREEN

ST6570SS	SPRAY TIP-65 DEGREE-7.0 GPM-STAINLESS-1/2 MPT
STR38-IL	IN LINE STRAINER-3/8 BARB-EPDM GASKET-20 MESH SS - BLACK BOWL
TB14N-PE	1/4IN OD NATURAL TUBE - POLYETHYLENE - AVAILABLE PER FT
TNK-CN15N	TANK - 15 GAL - CONCENTRATE - NATURAL
TANK-15NC-BRKT	SS BRACKET FOR TANK-15NC
W10	WHEEL-NONMARKING-10IN