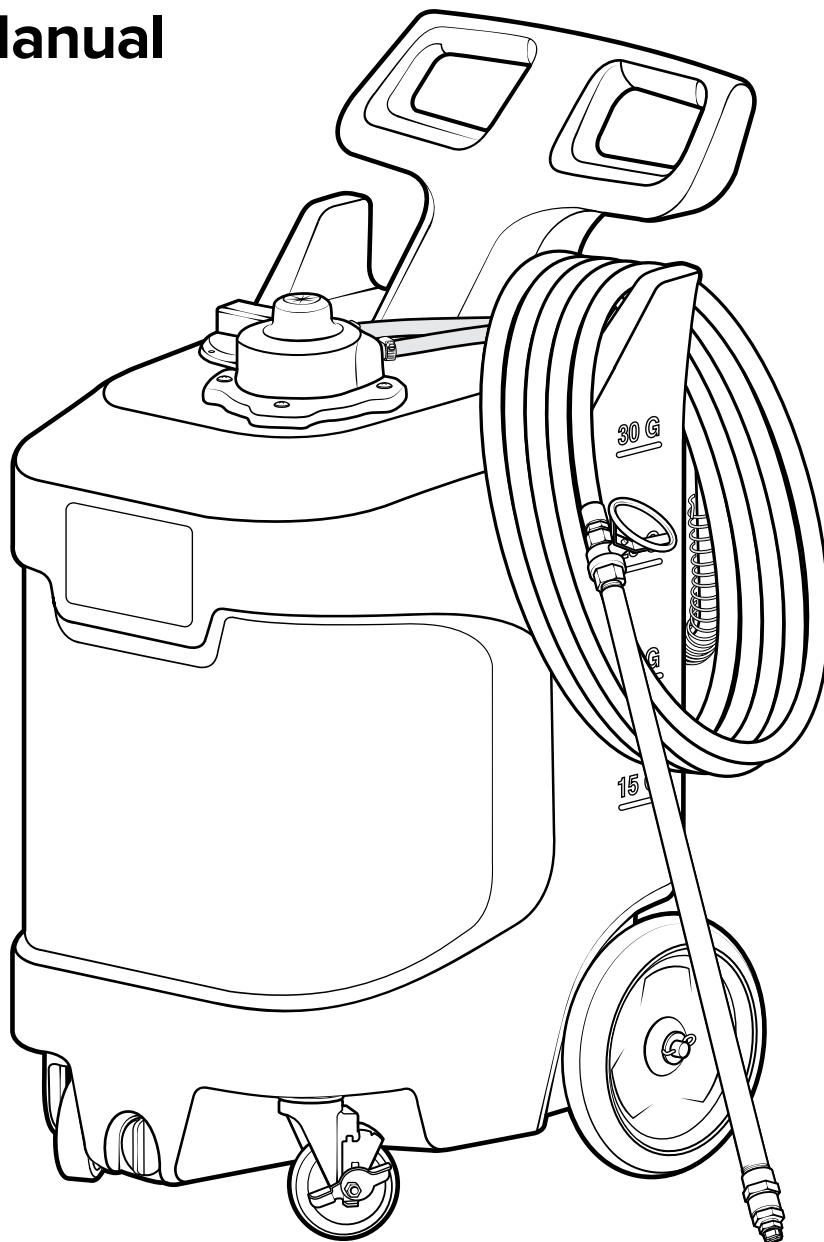


30 Gallon Gel Unit With Agitator

Operation Manual

GI-30N-AM



READ ALL INSTRUCTIONS BEFORE USING OR
SERVICING THIS UNIT. KEEP THIS MANUAL IN A
LOCATION THAT IS READILY AVAILABLE TO USERS
AND SERVICE TECHNICIANS.

English (Original Instructions)



Scan this code for
operation manual



Safety

WARNING

PEOPLE OR OBJECTS CAN BE HURT OR DAMAGED IF THIS UNIT IS NOT USED CORRECTLY!



Failure to read all the instructions before operating the unit may result in personal injury or death from the improper use or the chemical solution. Anyone handling, operating or using the unit must read and understand the instructions in the manual. The buyer assumes all responsibility for safety and proper use in accordance with the instructions.



Using or servicing the unit without appropriate personal protective equipment (PPE) may result in serious injury such as burns, rashes, eye, throat or lung damage and death. Always wear PPE as indicated in the Safety Data Sheet (SDS) when using or servicing the unit. Protect eyes, skin, and lungs against drifting spray.



Chemical solutions may pose a health risk and death if they contact the skin or eyes, are inhaled or swallowed. Always read and follow all chemical safety precautions and handling instructions provided by the chemical manufacturer and the SDS associated with the chemical solution before using the unit.



Pressure within the equipment may cause an unexpected release of the chemical solution and cause serious injury such as burns, rashes, eye damage, throat or lung damage and death. Always depressurize and clean the unit after each use. Release any remaining air pressure by opening the discharge ball valve. Never leave the unit unattended while pressurized.

Using the unit with fluid temperatures above 100°F (37.8°C) may result in scalding, burns, serious injury or death. DO NOT use a solution with a temperature above 100°F (37.8°C).

Operating the unit when damaged or leaking may result in exposure to chemical solutions, serious injury or death. Never use the unit if it is damaged or leaking.

Never point the discharge wand at yourself, another person, or any object you do not want covered in chemical.



Using incoming air pressure exceeding 100 psi (6.9 bar) may result in pressure buildup, explosion, serious injury or death. DO NOT exceed 100 psi (6.9 bar) incoming air pressure when operating the unit.

Use of hydrocarbons and flammable products may result in explosions, fire and serious injury or death. Never use hydrocarbons or flammable products with the unit.



Mixing an alkaline with an acid may result in a chemical reaction. Overheating of the mixture may cause it to splatter caustic compounds or release hazardous fumes, gas and vapors. Always flush the unit with fresh water thoroughly when switching from an alkaline to an acid or an acid to an alkaline.

NOTICE

Servicing or modifying this unit with parts not listed in this manual may cause the unit to operate improperly. Do not use unauthorized parts when servicing the unit.

Use of an air lubricator before the unit may result in diminished performance and damage to the unit. Do not use an air lubricator before the unit.

Moisture in the air lines will damage the pump and diminish the pump life. The air must be filtered, clean, dry and free of moisture. If needed, install an air dryer before the unit.

PROTECT THE ENVIRONMENT



Please dispose of packaging materials, old machine components, and hazardous fluids in an environmentally safe way according to local waste disposal regulations

Product Overview

Requirements

Compressed air requirements	40-80 psi (2.8-5.5 bar) with 15-18 CFM (424.8-509.7 l/min)
Liquid temperature range	40-100°F (4.4-37.8°C)
Chemical compatibility	Chemical products used with this equipment must be formulated for this type of application and compatible with unit materials and pump seals. For more information on chemical compatibility, consult the manufacturer or SDS for your product or contact our customer service department.

Specifications

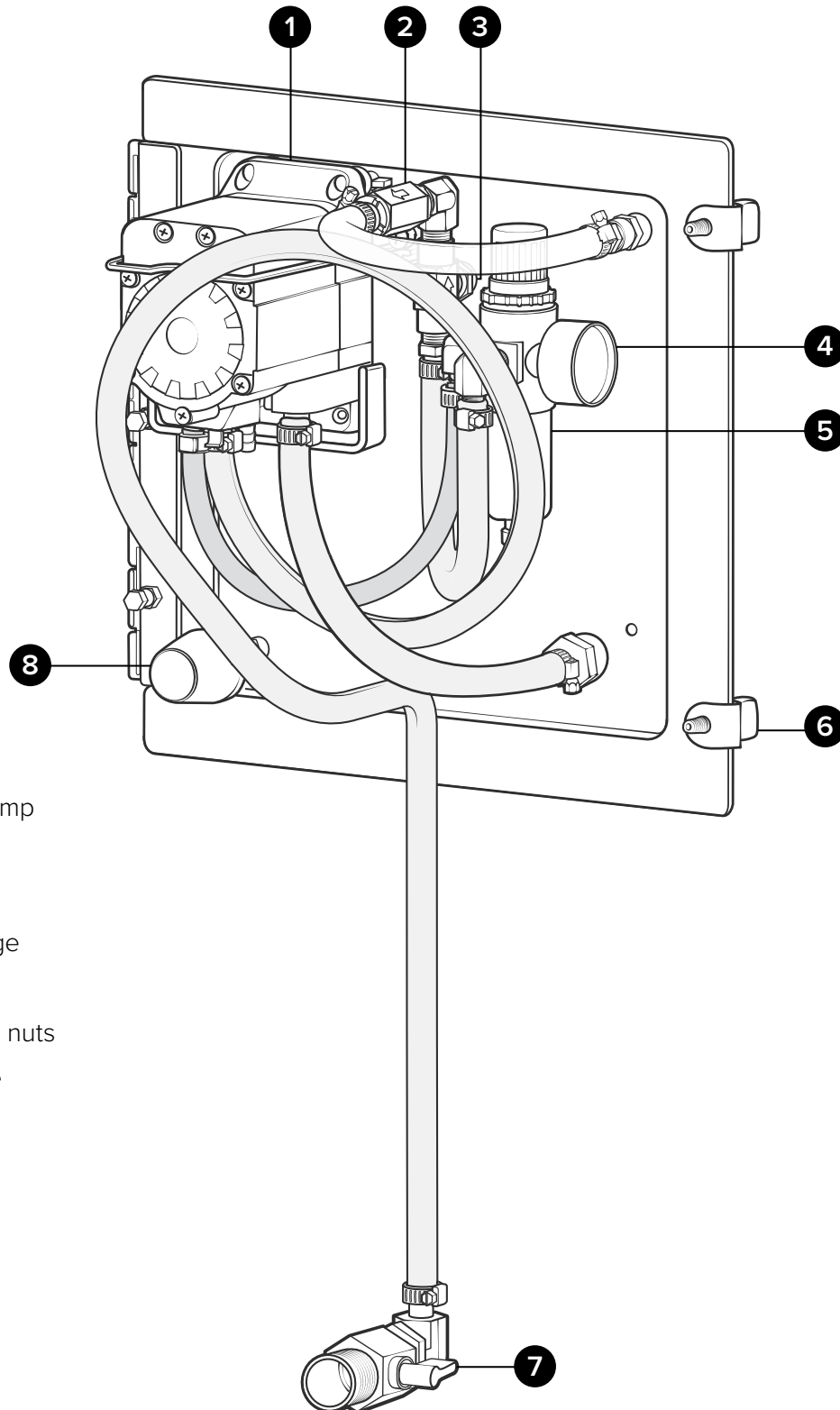
Power type	Compressed air
Chemical pickup type	Draws from pre-mixed solution
Number of products unit can draw from	One product
Suction line diameter	3/8 in. (9.5 mm) inside diameter
Capacity	30 gallons (113.6 liters)
Discharge line length/diameter	30 ft. (9 m) hose, with 1/2 in. (12.7 mm) inside diameter
Discharge wand/tip type	24 in. (60.9 cm) stainless steel wand with fan tip and ball valve. Tips included: ST4008SS, ST1510SS, and ST2520SS
Output distance*	6-10 ft. (1.8-3 m)
Output volume*	0.8-2 gal/min (3-7.6 l/min)
Flow rate*	2 gal/min (7.6 l/min)
Pump seals	Santoprene, Viton, or Kalrez
Wheel type	Two 10 inch (25.4 cm) non-marking wheels, two 5 inch (12.7 cm) casters, one with lock

*Rates given are based on chemical with viscosity of water and factory air pressure settings. These rates can vary based on viscosity of product and fan tip size.

Product Components

Get to know the GI-30N-AM components that you will need to use, adjust or assemble.

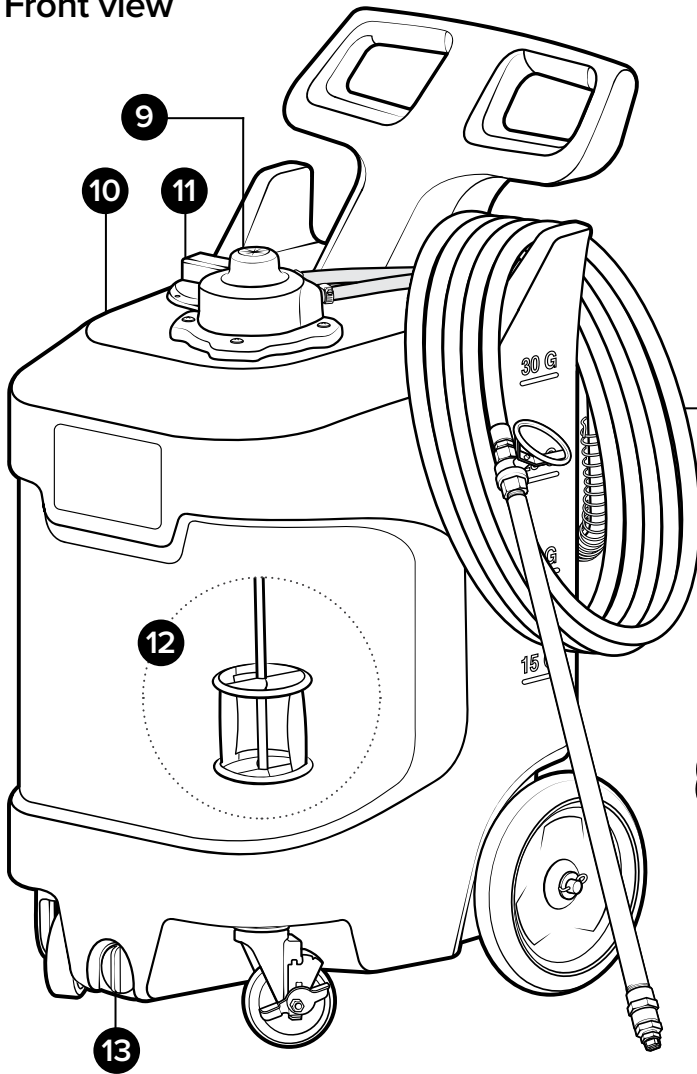
Back plate assembly • Inside view



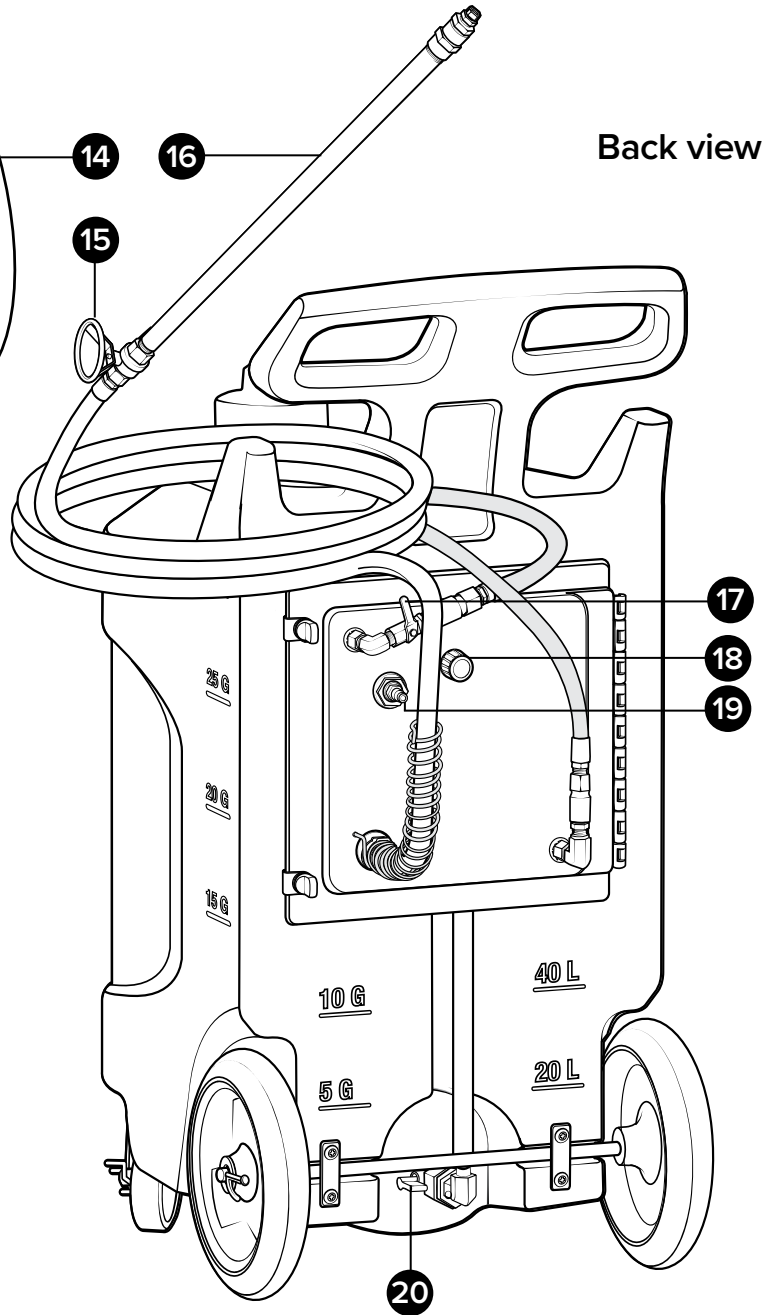
1. Quick-change pump
2. Check valve
3. Needle valve
4. Air pressure gauge
5. Air regulator
6. Back plate thumb nuts
7. Suction line valve
8. Muffler

Tank Assembly

Front view



Back view



- | | |
|--------------------|--------------------------|
| 9. Air gel motor | 15. Discharge ball valve |
| 10. Solution tank | 16. Discharge wand |
| 11. Lid | 17. Air inlet valve |
| 12. Prop and shaft | 18. Needle valve |
| 13. Drain plug | 19. Air fitting |
| 14. Discharge hose | 20. Suction valve |

Using your unit

Operating Instructions

1. Verify drain plug is securely closed.
2. Following all instructions from the chemical manufacturer, fill tank with the pre-mixed solution.
3. Verify suction line valve at the base of the suction line is open, allowing fluid into the suction line.
4. With the discharge ball valve and air inlet valve in the closed position, plug an air line into the air fitting.
5. Ensure agitator is submerged in product. Activate the air motor by opening the air inlet valve.
6. While the air motor is running, adjust the needle valve as needed to increase or decrease motor speed.
7. Close the air inlet valve to stop the air motor.

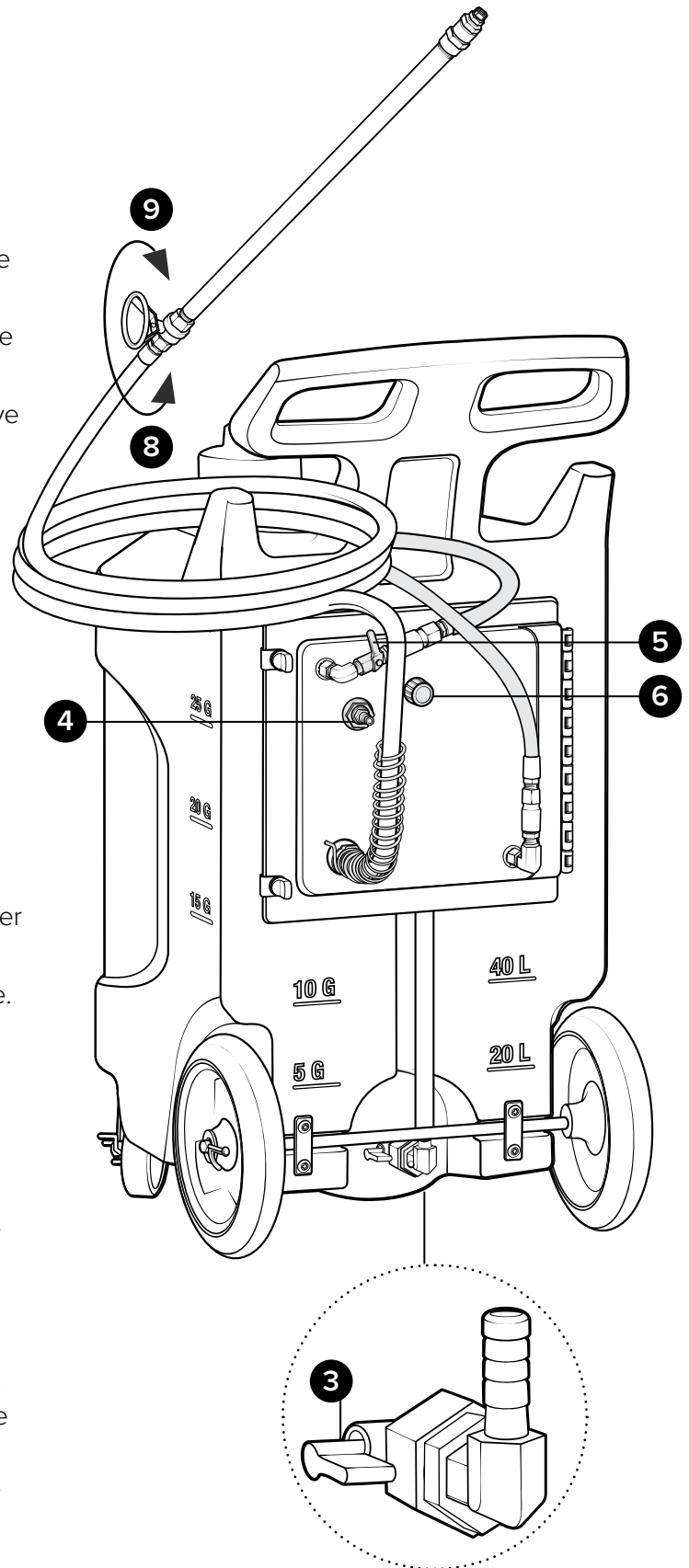
NOTE: It is not recommended to run the air motor agitator while applying product. Discontinue use of air motor agitator if solution level is below agitator propeller.

8. Begin dispensing product by slowly opening the discharge ball valve. Discharge ball valve should be completely open while dispensing.
9. Close the discharge ball valve to stop dispensing.

After Use Instructions

NOTE: For proper handling and disposal procedures refer to chemical SDS.

10. Solution should be removed from unit after each use. This can be done in two ways:
 - a. Unthread drain plug from front of tank and drain solution into approved location.
 - b. Place discharge wand into approved container. Activate unit until all solution has been flushed.
11. After solution has been removed, disconnect air line from the air fitting.
12. Open discharge ball valve to relieve all remaining pressure.
13. Close ball valve after all pressure has been relieved. Store unit with discharge ball valve and air inlet valve closed.
14. Before using unit with another chemistry, thoroughly flush with water.



Maintenance

WARNING

Performing any maintenance with the unit pressurized, and connected to the air supply may result in serious injury or death. Always ensure that the unit has been depressurized, and disconnected from the air supply before conducting any maintenance. Servicing or modifying this unit with parts not listed in this manual may cause the unit to operate improperly. Do not use unauthorized parts when servicing the unit.

Maintaining Your Unit

To keep your unit operating properly, periodically perform the following maintenance procedures:

Note: Disconnect couplers from the air fittings before opening the backplate and servicing the unit.

- Inspect the pump for wear and leaks.
- Inspect all hoses for leaks or excessive wear. Make sure all hose clamps are in good condition and properly secured.
- Replace the filter located within the air regulator as needed. Clean by unthreading air regulator bowl from the air regulator.

- Check the suction line for debris. Clean as needed.
- Drain your air compressor tank on a regular basis to help extend pump life. An air source with a high moisture content will accelerate pump wear.

Note: If your air source has a high moisture content, install a water separator to the air fitting on the backplate.

Servicing Your Unit

To service your unit, refer to the service manual which includes:

- Troubleshooting procedures.
- Detailed parts breakdowns and illustrations.
- Part numbers of serviceable components and assemblies.



Scan this code for
service manual

