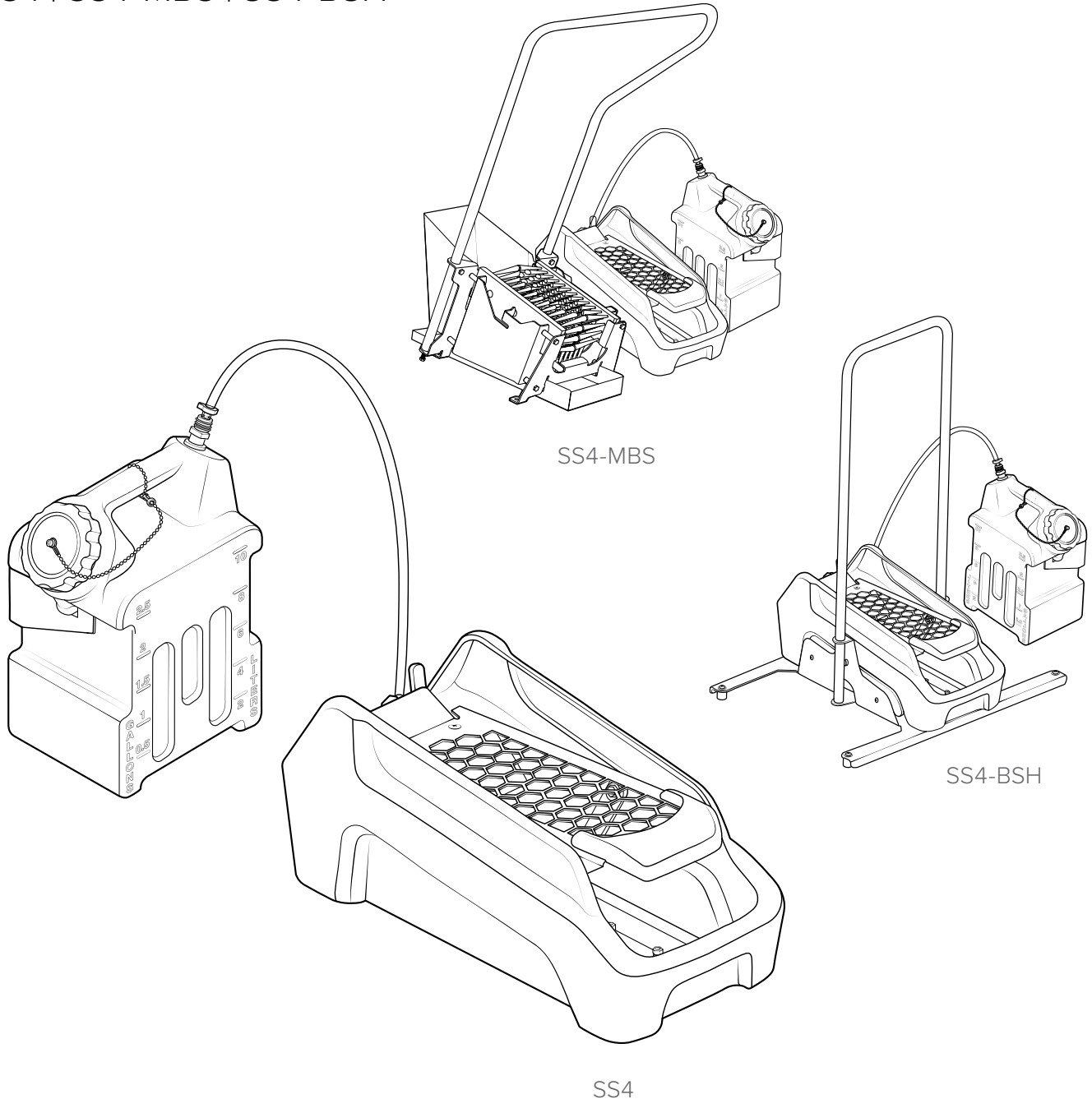


# Airless Footwear Sanitizing Unit

## Operation Manual

SS4 | SS4-MBS | SS4-BSH



READ ALL INSTRUCTIONS BEFORE USING OR  
SERVICING THIS UNIT. KEEP THIS MANUAL IN A  
LOCATION THAT IS READILY AVAILABLE TO USERS  
AND SERVICE TECHNICIANS.

English (Original Instructions)



Scan this code for  
operation manual



# Safety

## ! WARNING

PEOPLE OR OBJECTS CAN BE HURT OR DAMAGED IF THIS UNIT IS NOT USED CORRECTLY!



Failure to read all the instructions before operating the unit may result in personal injury or death from the improper use or chemical solution. Anyone handling, operating or using the unit must read and understand the instructions in the manual. The buyer assumes all responsibility for safety and proper use in accordance with the instructions.



Using or servicing the unit without appropriate personal protective equipment (PPE) may result in serious injury such as burns, rashes, eye, throat or lung damage and death. Always wear PPE as indicated in the Safety Data Sheet (SDS) when using or servicing the unit. Protect eyes, skin, and lungs against drifting spray.



To prevent chemical spray to face and eyes, ensure full foot insertion into unit and press down with heel. All protective gear must be worn as directed by the chemical manufacturer, SDS, and any applicable local safety regulations (OSHA, EU Directives, etc..)

This unit is for use with fully protective footwear only. This unit is designed to help sanitize footwear at transition zones with a focus on reduced moisture. This unit is intended to sanitize shoe soles and not intended for any other use.



Chemical solutions may pose a health risk and death if they contact the skin or eyes, are inhaled or swallowed. Always read and follow all chemical safety precautions and handling instructions provided by the chemical manufacturer and the SDS associated with the chemical solution before using the unit.



Pressure within the equipment may cause an unexpected release of the chemical solution and cause serious injury such as burns, rashes, eye damage, throat or lung damage and death. Always disconnect the air line from the unit before performing any maintenance, and clean the unit after each use.

Using the unit with fluid temperatures above 100°F (37.8°C) may result in scalding, burns, serious injury or death. DO NOT use a solution with a temperature above 100°F (37.8°C).



Operating the unit when damaged or leaking may result in exposure to chemical solutions, serious injury or death. Never use the unit if it is damaged or leaking.

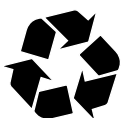
Use of hydrocarbons and flammable products may result in explosions, fire and serious injury or death. Never use hydrocarbons or flammable products with the unit.

## NOTICE

Servicing or modifying this unit with parts not listed in this manual may cause the unit to operate improperly. Do not use unauthorized parts when servicing the unit.

This unit is for use with fully protective footwear only.

## PROTECT THE ENVIRONMENT



Please dispose of packaging materials, old machine components, and hazardous fluids in an environmentally safe way according to local waste disposal regulations

# Product Overview

## Options

SS4	-	Configurations
		None ( <i>standard</i> )
		Base with handle ( <b>BSH</b> )
		Manual boot scrubber ( <b>MBS</b> )

Add the bolded option codes to item number as shown. For standard units, no option code is needed.

### Examples:

- SS4 (standard unit)
- SS4-BSH (unit with base and handle)
- SS4-MBS (unit with manual boot scrubber)

## Requirements

Liquid temperature range	40-100°F (4.4-37.8°C)
Chemical compatibility	Chemical products used with this equipment must be formulated for this type of application and compatible with unit materials and pump seals. For more information on chemical compatibility, consult the manufacturer or SDS for your product or contact our customer service department.

## Specifications

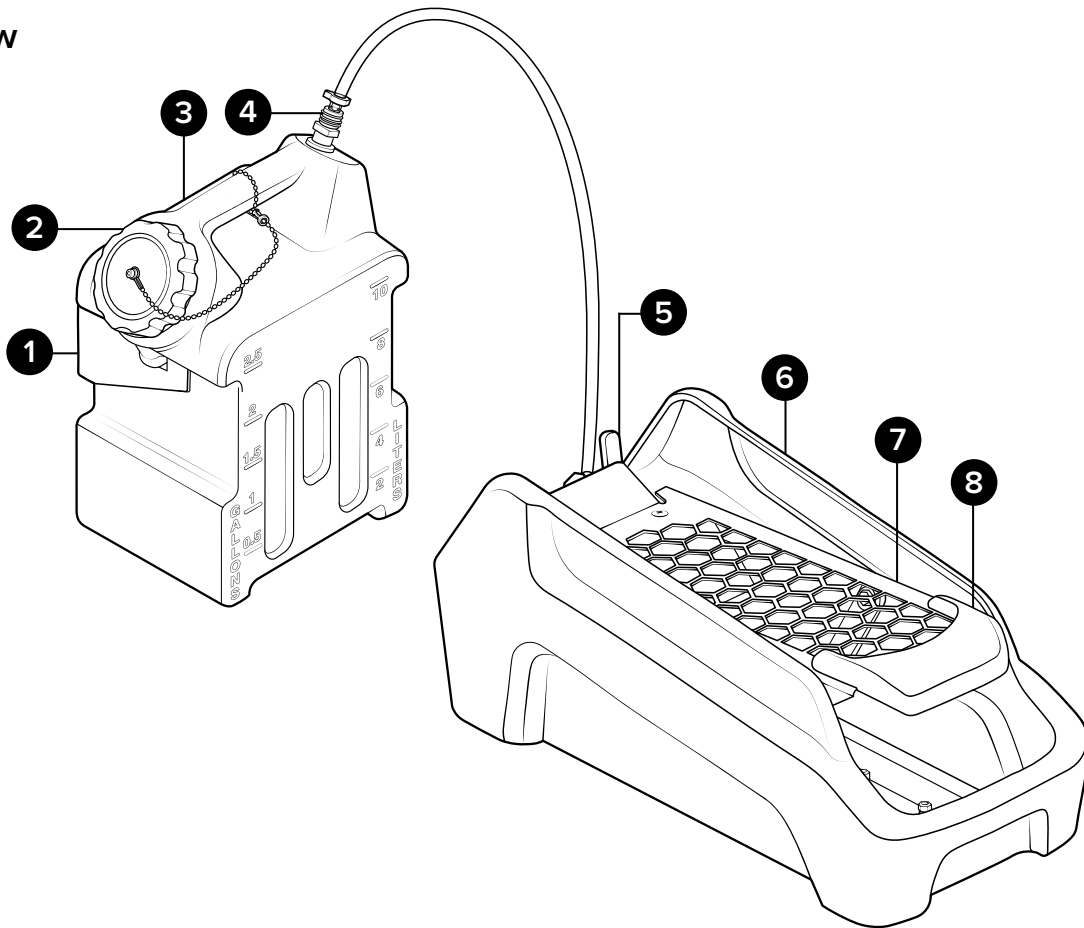
Power type	Manual
Chemical pickup type	Draws from pre-mixed solution
Number of products unit can draw from	One product
Suction line length/diameter	4 ft. (1.2 m) clear hose with ¼ in. (6.4 mm) inside diameter
Output volume*	0.14 oz (4.14 mL) per spray
Pump seals	Viton
Number of nozzles	4 nozzles

\*Rates given are based on chemical with viscosity of water. These rates can vary based on viscosity of product.

# Product Components

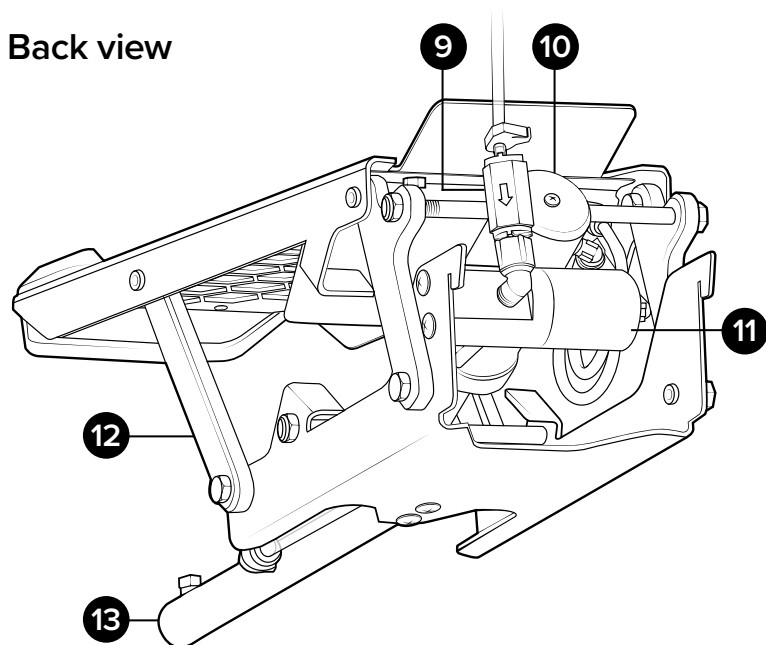
Get to know the SS4 components that you will need to use, adjust or assemble.

## Front view



1. Jug rack
2. Cap
3. Jug
4. Suction assembly
5. Lock lever
6. Catch basin
7. Foot grate
8. Foot locator

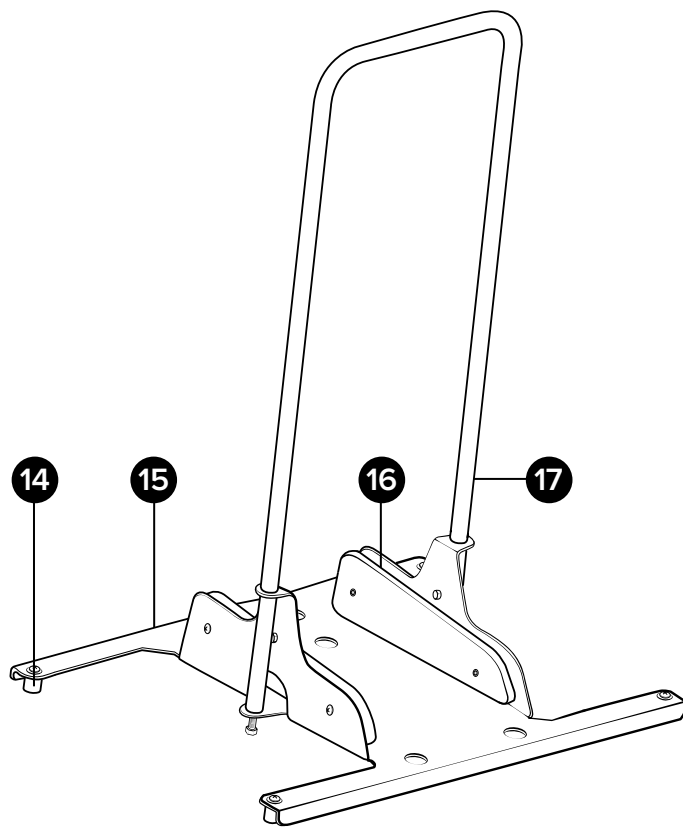
## Back view



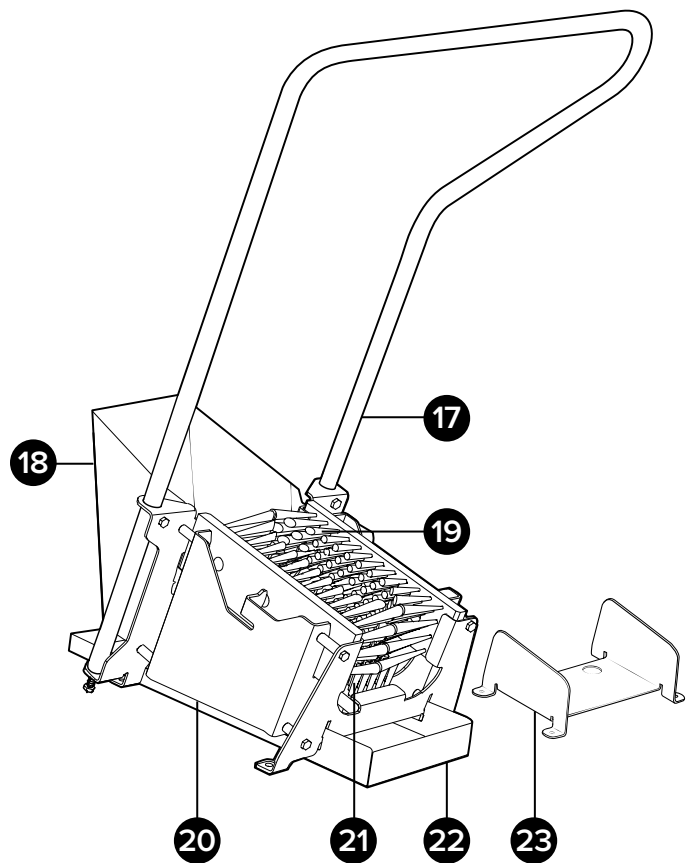
9. Check valve
10. Air pump
11. Fluid pump
12. Linkage
13. Manifold

# Product Components

## Base with handle



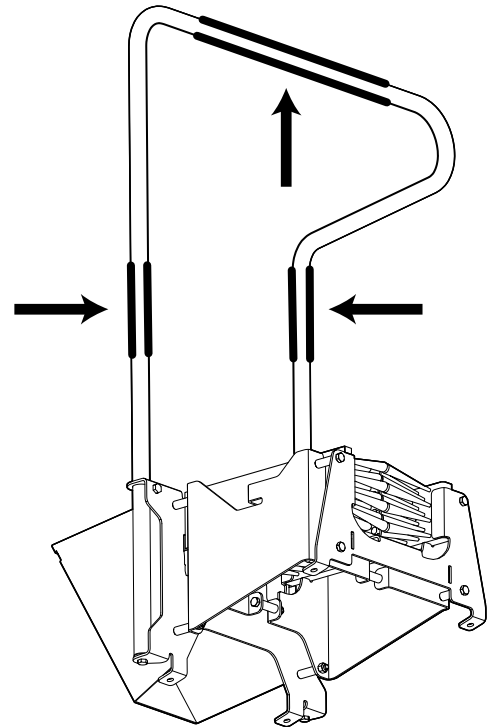
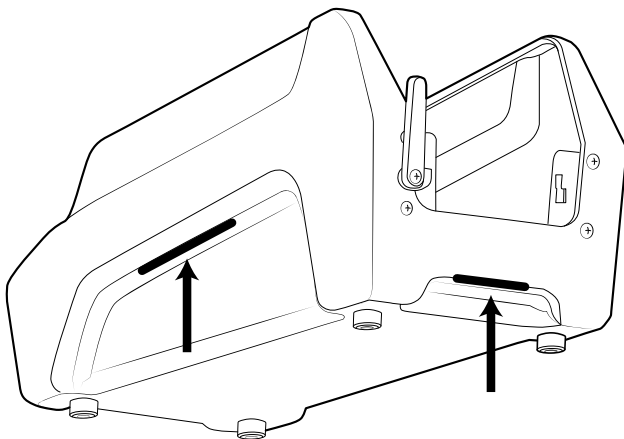
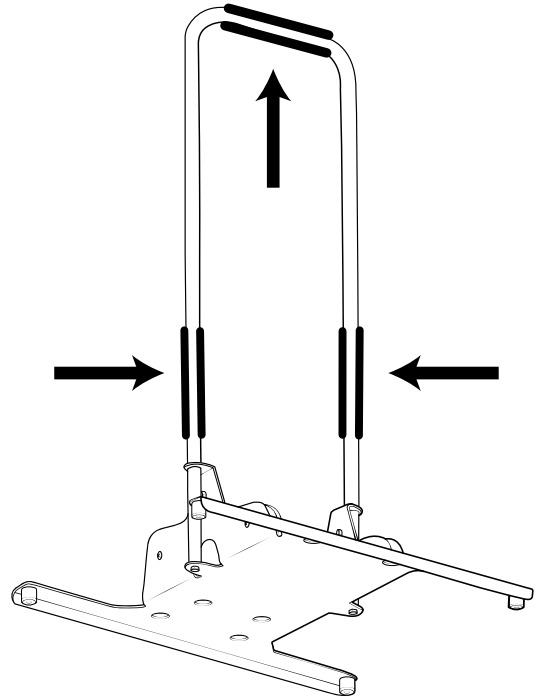
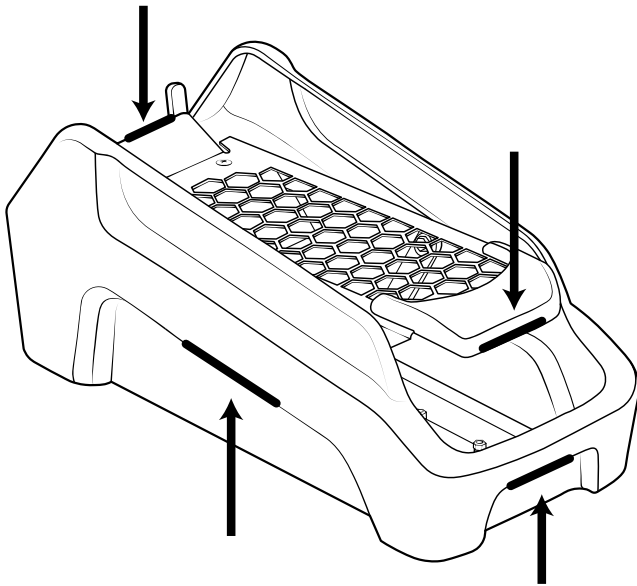
## Manual boot scrubber



- 14. Rubber foot
- 15. Base plate with handle
- 16. Base plate locator
- 17. Handle
- 18. Debris shield
- 19. Side brush
- 20. Boot scrubber base
- 21. Sole brush
- 22. Debris tray
- 23. Floor mount plate

# Handling Your Unit

Use the following lift points for proper handling of your unit.



# Using your unit

## Installation Instructions

1. Position the unit in a suitable location.
2. If desired, mount the chemical jug to the wall using the provided mounting hardware and rack.

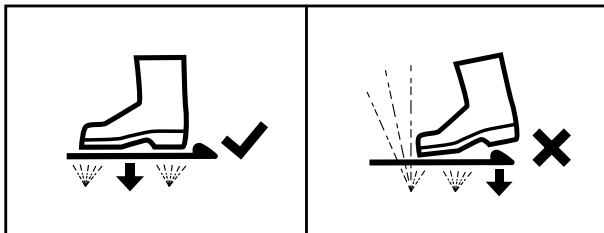
**Note:** To drill holes for plastic anchors, use a  $\frac{5}{16}$  inch drill bit. Chemical jug should not be mounted higher than 30 in. (0.7 m) above the unit. Suction hose length should not exceed 8 ft. (2.4 m).

3. Following all instructions from the chemical manufacturer, fill chemical jug with pre-mixed or ready to use chemical solution.
4. Connect the suction line to the jug suction fitting.
5. Prime the unit according to the priming Instructions included below.

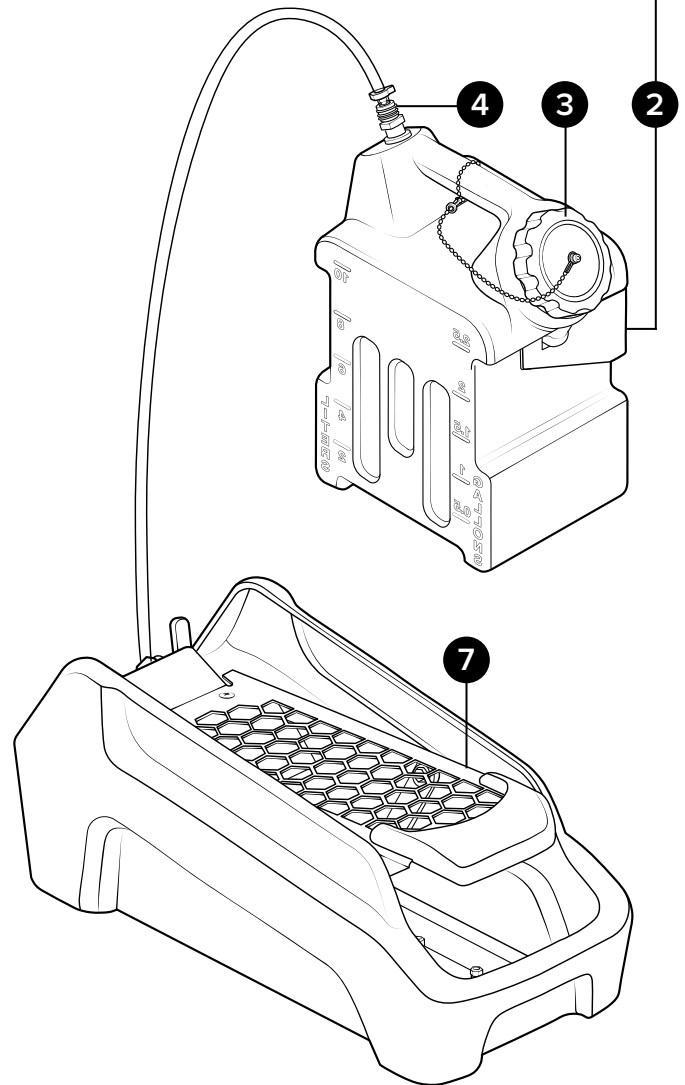
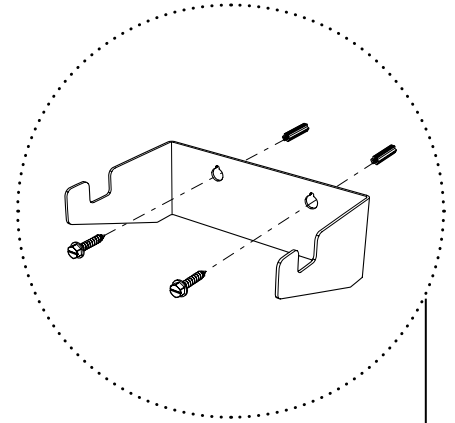
## Operating Instructions

**Note:** This unit is for use with fully protective footwear only. Do not activate the unit if foot is not positioned correctly on the unit.

6. Verify chemical jug is full, and suction line is connected. Ensure nothing is loose or leaking.
7. To prime the unit, place foot on the grate and step down until all air has been purged from the suction line. See below for correct usage.



8. Check bottom of footwear for proper sanitizer application. The entire sole should be covered with a consistent spray pattern.
9. Once spray pattern is achieved, place other foot on the grate and step down to activate the spray.



# Using your unit

## Installation Instructions

### For SS4-BSH Unit:

1. Select desired location to place the unit.
2. Attach handle (a) by sliding it into base plate (b) and fasten with bolts on both ends.
3. Secure the handle by tightening the bolt and lock nut on both sides.
4. Place unit into the base plate (b).

**Note:** For a secure fit, ensure the rubber feet (c) are correctly placed in the designated cutouts on the base plate (b).

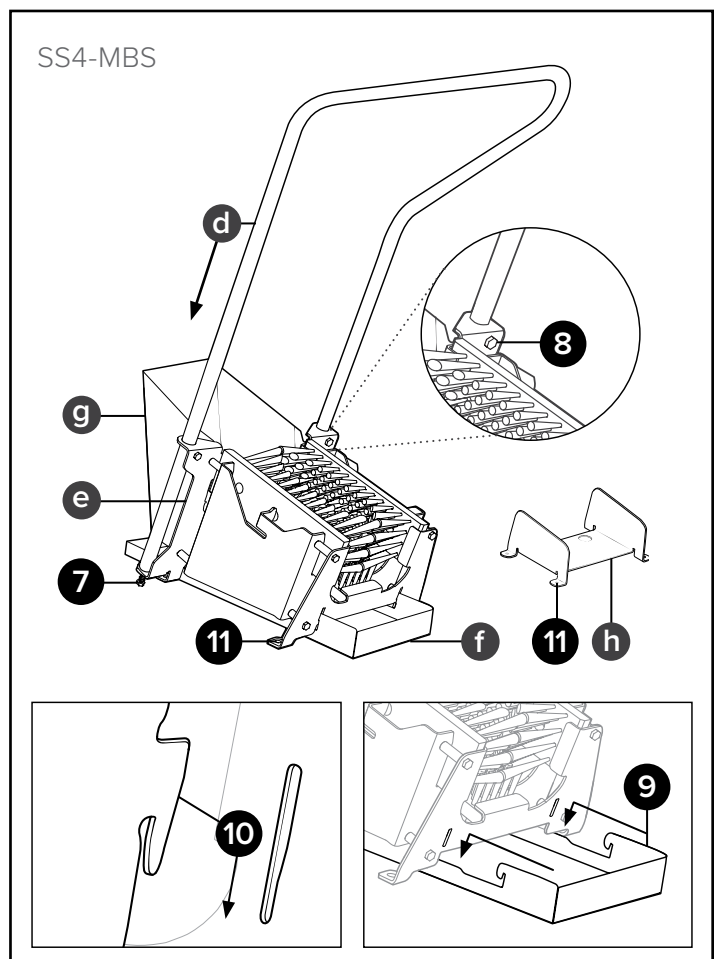
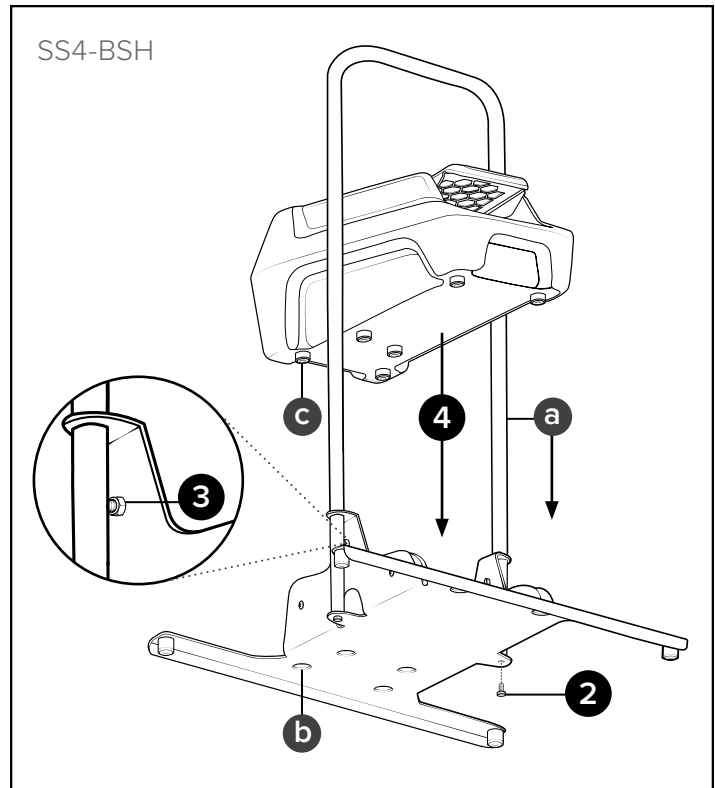
5. To operate the unit, follow the operating instructions listed on the previous page.

### For SS4-MBS Unit:

6. Select desired location to place the unit.
7. Attach handle (d) by sliding it into boot scrubber base (e). Fasten with bolts on both ends.
8. Secure the handle by tightening the bolt and lock nut on both sides.
9. Slide debris tray (f) under the boot scrubber base (e). Lift up and hook tray into the front slots of the boot scrubber frame to secure.
10. Connect debris shield (g) by sliding hooks into slots on the back of the boot scrubber frame.

**Note:** Brushes must be removed before installing/uninstalling debris shield.

11. If desired, the unit is designed for secure floor installation, and includes a floor mount plate (h). Mounting hardware not included.
12. To prime and operate unit, follow the operating instructions listed on the previous page.





# Maintenance

## WARNING

Performing any maintenance with the unit pressurized may result in serious injury. Before conducting any maintenance, always ensure the unit has been depressurized by disconnecting the air line on the unit. Servicing or modifying this unit with parts not listed in this manual may cause the unit to operate improperly. Do not use unauthorized parts when servicing the unit. Remember to reconnect air line, and re-prime the unit according to the priming instructions in the operation manual after performing any maintenance.

## Maintaining Your Unit

To keep your unit operating properly, perform the following daily maintenance procedures:

### For SS4, SS4-BSH, and SS4-MBS units:

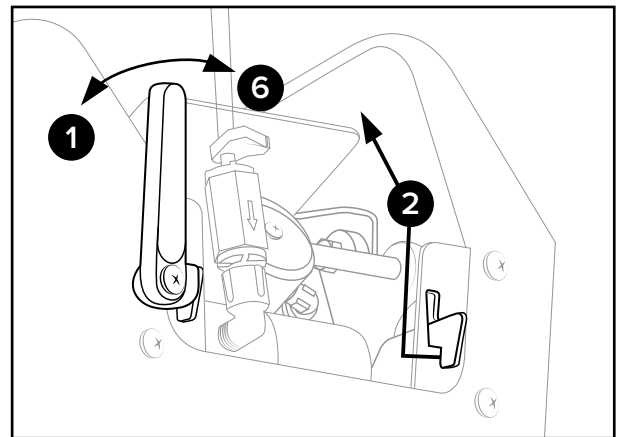
- Inspect the stainless foot grate for debris and clean when necessary.
- Collection basin should be emptied and cleaned each time the chemical supply container is changed or refilled. See **Collection basin cleaning instructions** for more information.
- Note:** During heavy use, over-spray can fill up basin. Be mindful of fluid levels not reaching above manifold, this can cause the unit to operate improperly.
- Verify nozzle assembly is free of any debris or blockage. Rinse with low pressure water if necessary.
- Check suction line and strainer for debris. Clean as needed.
- Inspect all tubing for leaks or excessive wear. Make sure all hose clamps and push fittings are in good condition and properly secured.

### For SS4-MBS units only:

- Remove brushes by lifting them out from the brush bracket. Remove debris and clean. Brushes should be replaced every 6 months depending on wear.
- Slide out debris tray. Empty debris and wipe clean.
- Base assembly of unit is fully stainless and can be cleaned in place by method suitable for stainless steel.

### Collection basin cleaning instructions:

1. Turn Lock Lever to the unlock position
2. Holding the mechanism by its touch points, slide the mechanism over to the right, lift up, and towards you to disengage the hooks
3. Place mechanism aside, level with the floor.
4. Empty and clean the collection basin.
5. Re-insert the mechanism by repeating step 2 in reverse order.
6. Slide the lock lever until it is upright and/or tab is touching the mechanism, as shown below.



## Servicing Your Unit

To service your unit, refer to the service manual which includes:

- Troubleshooting procedures.
- Detailed parts breakdowns and illustrations.
- Part numbers of serviceable components and assemblies.



Scan this code for  
service manual

