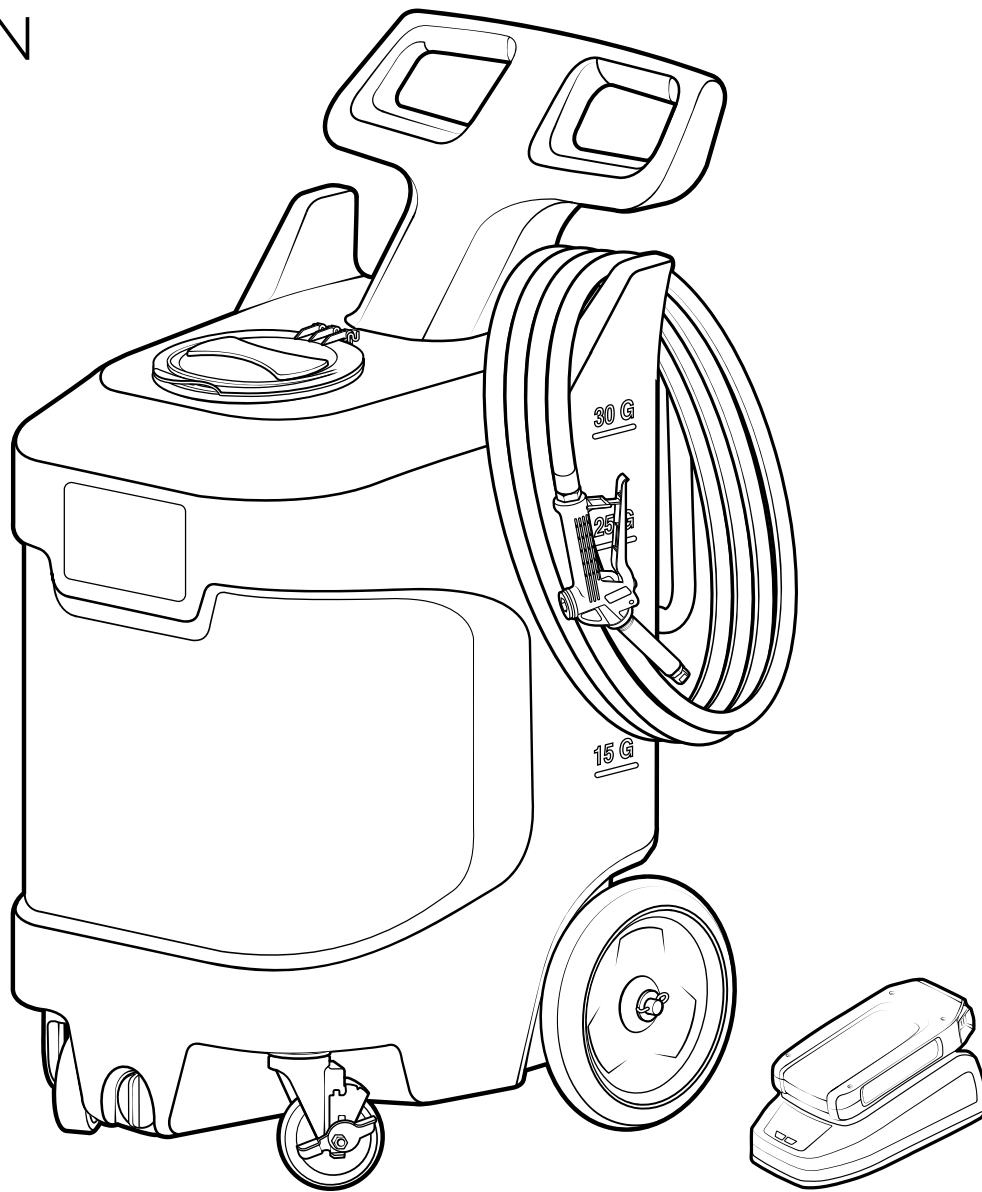


30 Gallon Battery Powered Spray Unit

Service Manual

SP-BP-30N



READ ALL INSTRUCTIONS BEFORE USING OR SERVICING THIS UNIT. KEEP THIS MANUAL IN A LOCATION THAT IS READILY AVAILABLE TO USERS AND SERVICE TECHNICIANS.

English (Original Instructions)



Scan this code for
service manual



Safety

WARNING

PEOPLE OR OBJECTS CAN BE HURT OR DAMAGED IF THIS UNIT IS NOT USED CORRECTLY!



Failure to read all the instructions before operating the unit may result in personal injury or death from the improper use or the chemical solution. Anyone handling, operating or using the unit must read and understand the instructions in the manual. The buyer assumes all responsibility for safety and proper use in accordance with the instructions.

The unit is not to be used by persons (including children) with reduced physical, sensory or mental capabilities, or lack of experience and knowledge, unless given supervision or instructed in the safe use of the unit and understand the hazards involved. Children under 8 years old should be supervised to ensure they do not play with or handle the unit.



Using or servicing the unit without appropriate personal protective equipment (PPE) may result in serious injury such as burns, rashes, eye, throat or lung damage and death. Always wear PPE as indicated in the Safety Data Sheet (SDS) when using or servicing the unit. Protect eyes, skin, and lungs against drifting spray.



Chemical solutions may pose a health risk and death if they contact the skin or eyes, are inhaled or swallowed. Always read and follow all chemical safety precautions and handling instructions provided by the chemical manufacturer and the SDS associated with the chemical solution before using the unit.



Pressure within the equipment may cause an unexpected release of the chemical solution and cause serious injury such as burns, rashes, eye damage, throat or lung damage and death. Always depressurize and clean the unit after each use. Never leave the unit unattended while pressurized.

Using the unit with fluid temperatures above 100°F (37.8°C) may result in scalding, burns, serious injury or death. DO NOT use a solution with a temperature above 100°F (37.8°C).

Some components may be hot during and after use. Use caution when servicing or handling the equipment.



Operating the unit when damaged or leaking may result in exposure to chemical solutions, serious injury or death. Never use the unit if it is damaged or leaking.

Use of hydrocarbons and flammable products may result in explosions, fire and serious injury or death. Never use hydrocarbons or flammable products with the unit.



Mixing an alkaline with an acid may result in a chemical reaction. Overheating of mixture may cause it to splatter caustic compounds or release hazardous fumes, gas and vapors. Always flush the unit with fresh water thoroughly when switching from an alkaline to an acid or an acid to an alkaline.

Never point the discharge wand at yourself, another person, or any object you do not want covered in chemical.



Keep battery box lid closed and latched at all times unless accessing battery. Do not use with lid open or damaged. Do not expose unit to liquids, cleaning solutions, foam, or rain. The battery pack is not waterproof. Do not submerge in liquid. If battery pack gets wet, allow to dry before further use.

Using the unit with unapproved devices may result in a risk of fire, shock or personal injury. Only use with 24V Equip Series compatible equipment.

Store unit and battery indoors in a cool, dry location between 32°-77°F (0°-25°C) and < 75% relative humidity. Do not store below 32°F (0°C) or above 113°F (45°C). To prevent premature battery failure, do not store battery in depleted state for long periods of time.

Safety

WARNING

First Aid Instructions

- Failure to follow first aid instructions may result in death or serious personal injury.
- If battery liquid comes in contact with skin, wash immediately with soap and water, then neutralize with lemon juice or vinegar.
- If battery liquid gets in your eyes, flush with clean water for a minimum of 10 minutes, then seek immediate medical attention.
- If battery liquid is swallowed, seek immediate medical attention.

State of California Proposition 65 Warning

- The battery can expose you to chemicals, including cobalt, lithium, manganese, nickel, oxide, and carbon black, which are known to the State of California to cause cancer and reproductive harm. For additional information, go to www.P65Warnings.ca.gov.

NOTICE

The unit is not rated for high-altitude areas of 2000 meters and above.

Servicing or modifying this unit with parts not listed in this manual may cause the unit to operate improperly. Do not use unauthorized parts when servicing the unit.

In the presence of radiated RF energies, the charge indicator button can lose functionality. Refer to the separate manuals supplied with the battery and charger for additional safety precautions and instructions.

PROTECT THE ENVIRONMENT



Please dispose of packaging materials, old machine components, and hazardous fluids in an environmentally safe way according to local waste disposal regulations



Model No.: SP-BP-30N
Manufactured by: FOAMit
3833 Soundtech Ct. SE Grand Rapids, MI 49512 US

This equipment has been tested and found to comply with the limits for a **Class A** digital device, pursuant to part 15 of the FCC Rules. These limits are designed to provide reasonable protection against harmful interference when the equipment is operated in a commercial environment. This equipment generates, uses, and can radiate radio frequency energy and, if not installed and used in accordance with the instruction manual, may cause harmful interference to radio communications. Operation of this equipment in a residential area is likely to cause harmful interference in which case the user will be required to correct the interference at his own expense.

Service Guide

WARNING

Performing any maintenance with the unit pressurized, may result in serious injury or death. Always ensure the unit has been depressurized, and battery has been removed before conducting any maintenance. Cleaning and user maintenance shall not be made by children without supervision. Servicing or modifying unit with parts not listed in this manual may cause the unit to operate improperly. Do not use unauthorized parts when servicing the unit.

Maintaining Your Unit

To keep your unit operating properly, periodically perform the following maintenance procedures:

- Inspect the pump for wear and leaks.
- Inspect all hoses for leaks or excessive wear. Verify all hose clamps are in good condition and properly secured.
- Check the suction line and strainer for debris. Clean as needed..
- Store battery in a half-charged state and maintain battery every 3-6 months.

Servicing Your Unit

Most repairs on the unit can be performed with the following tools:

- Crescent wrench (2x)
- ¼ in. (7 mm) hex bit
- Flat head screwdriver
- Thread seal tape
- #2 Phillips head screwdriver
- #3 Phillips head screwdriver
- Hose cutters
- Knife

Troubleshooting Your Unit

If your unit is not operating properly, try using these troubleshooting tips:

Issue	Solution
Pump is cycling improperly	<ul style="list-style-type: none"> • Verify pump did not fail from chemical attack, or electrical malfunction. • Ensure proper chemical and concentration are being used. • Verify product is getting to the pump with these steps: <ol style="list-style-type: none"> 1. Make sure the tank has chemical solution in it. 2. Ensure the suction line valve is open completely. 3. Inspect suction line and strainer for debris or damage. • If these steps are confirmed, the pump may need to be replaced.
The unit operates at a reduced pressure	<ul style="list-style-type: none"> • Inspect suction line and strainer for debris or damage. Clean or replace as needed. To prevent damage to the unit, the strainer must always be used. • Inspect discharge hose assembly for build up.
Battery will not completely charge	<ul style="list-style-type: none"> • Place a secondary battery on the charger. If the secondary battery charges as expected, it indicates that the initial battery is faulty and should be replaced. • If the problem continues to occur, the charger is bad. Replace battery charger.
Battery discharges too quickly	<ul style="list-style-type: none"> • Battery has reached life expectancy. Replace battery.
Power button LED slow flashing	<ul style="list-style-type: none"> • Dead battery. Charge or replace battery.
Power button LED fast flashing	<ul style="list-style-type: none"> • Startup failure. Reset with a power cycle. • A faulty pump may need to be replaced.
Power button LED double flashing	<ul style="list-style-type: none"> • Pump is over temperature. Allow unit to cool before use.
Battery/charger fault light is flashing	<ul style="list-style-type: none"> • Refer to the separate manuals supplied with the battery and charger for more information regarding indicator and fault lights.

Tank Assembly

Front view

TNKA-30N-BK:

30 gallon natural tank assembly - black* lid - includes drain plug, wheels, suction valve, and backplate thumb nuts

LDA-7BK:

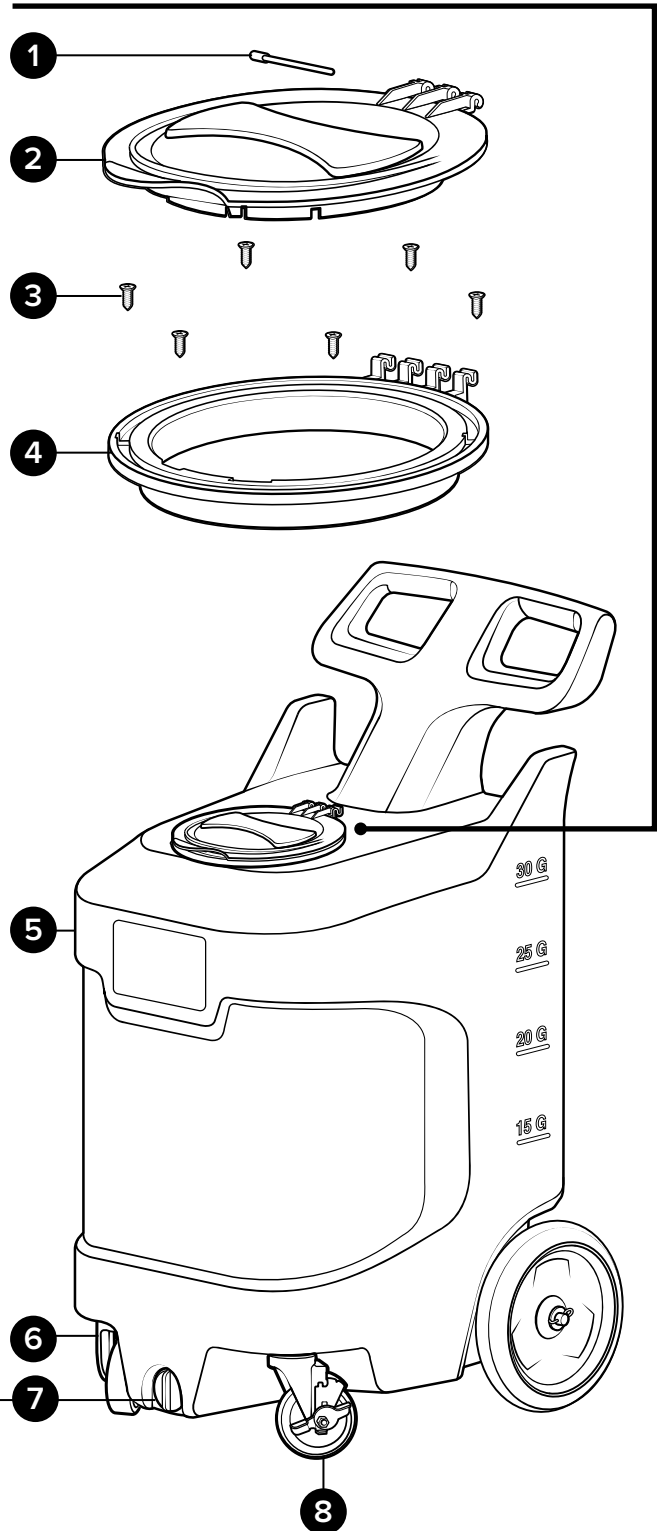
Lid assembly - includes 7 in. black* lid, lid flange, hinge pin, and mounting screws

Item number	Description	
1	LD-PIN	Hinge pin for 7 in. lid and flange
2	LD-7BK-LID	Lid - 7 in. - polypropylene - black*
3	S812-FH	Screw - #8 x 1/2 in. - stainless steel - flat head Phillips
4	LD-7BK-FLNG	Lid flange - 7 in. - polypropylene - black*

* Additional colors available, see datasheet for options.

Item number	Description	
5	TNK-30N	Tank - 30 gallon natural - portable
6	CST5SS	Swivel caster - stainless - 5 in. clearance - 4 in. wheel
7	DPA	Drain plug assembly for portable units - includes gasket
8	CST5SS-L	Swivel caster - stainless - 5 in. clearance - 4 in. wheel - with lock

LDA-7BK



Tank Assembly

Back view

TNKA-30N-BK:

30 gallon natural tank assembly - black* lid - includes drain plug, wheels, suction valve, and backplate thumb nuts

BPTNA:

Back plate thumb nut assembly - includes bolt, thumb nut, and tether

Item number	Description
1	BST1420118-VS Bolt - set - 1/4-20 x 1 1/8 in. - stainless steel - Vibra-Seal
2	TN1420 Thumb nut - 1/4-20 x 1 1/4 in. - PP - brass insert - assembled with tether

VLVA-BVPVC34:

Suction valve assembly - includes 3/4 in. PVC valve, bushing, 3/4 in. hose barb elbow, and screw band clamp

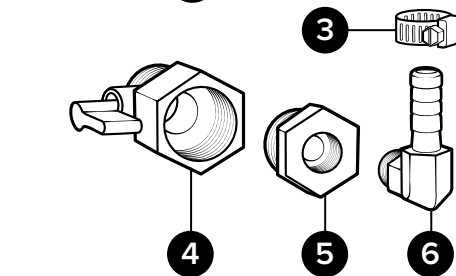
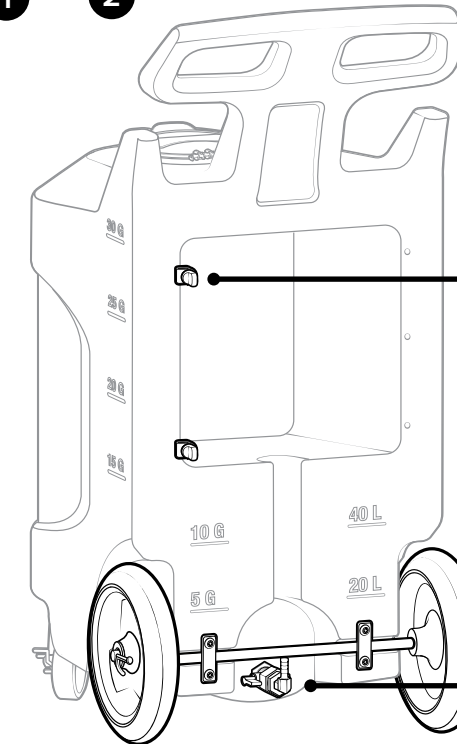
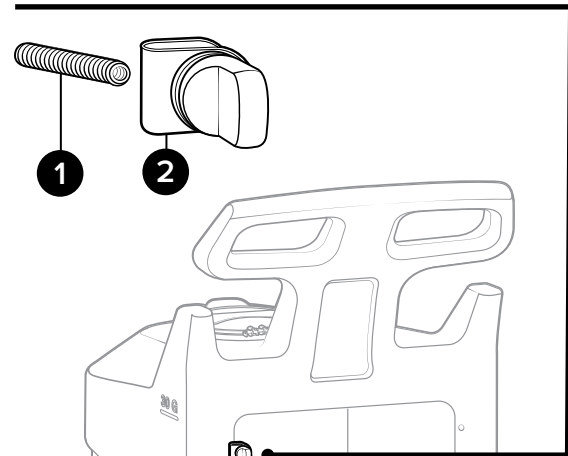
Item number	Description
3	SSC38 Screw band clamp - stainless steel - for 3/8 in. hose
4	BVPVC34MF Ball valve - PVC - 3/4 NPT to 3/4 FNPT - Buna seal
5	HHPB3414 Hex head poly bushing 3/4 MPT x 1/4 FPT
6	HBSEL1438 Hose barb - stainless steel - elbow - 1/4 in. MPT x 3/8 in. barb

WHLA-AXL1812:

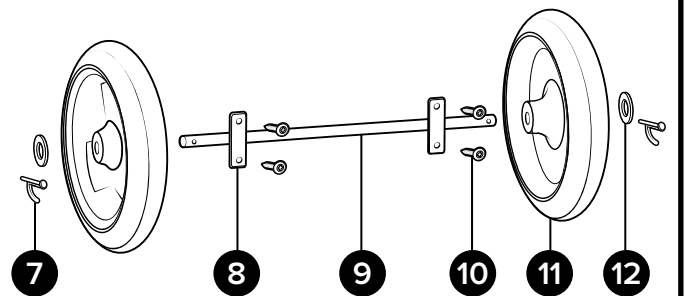
10 in. wheel assembly - includes 18.5 in. axle, axle plate, bolts, washers, and cotter pins

Item number	Description
7	COT Cotter pin - stainless steel - 1/8 in. dia x 1 in. long
8	PLSS-AXL Axle plate - stainless steel - 2.5 in. x 1 in. - 2 holes
9	AXL1812 Axle - stainless - 0.625 dia. x 18.5 in.
10	B142012-VS Bolt - 1/4-20 x 1/2 in. - stainless steel - truss head Phillips - Vibra-Seal
11	W10 Wheel - 10 in. - non-marking
12	FW58 Flat washer for 5/8 in. od pipe or axle - stainless steel - 0.64 in. id x 1.2 in. od x 0.05 in. thk

BPTNA



VLVA-BVPVC34



WHLA-AXL1812

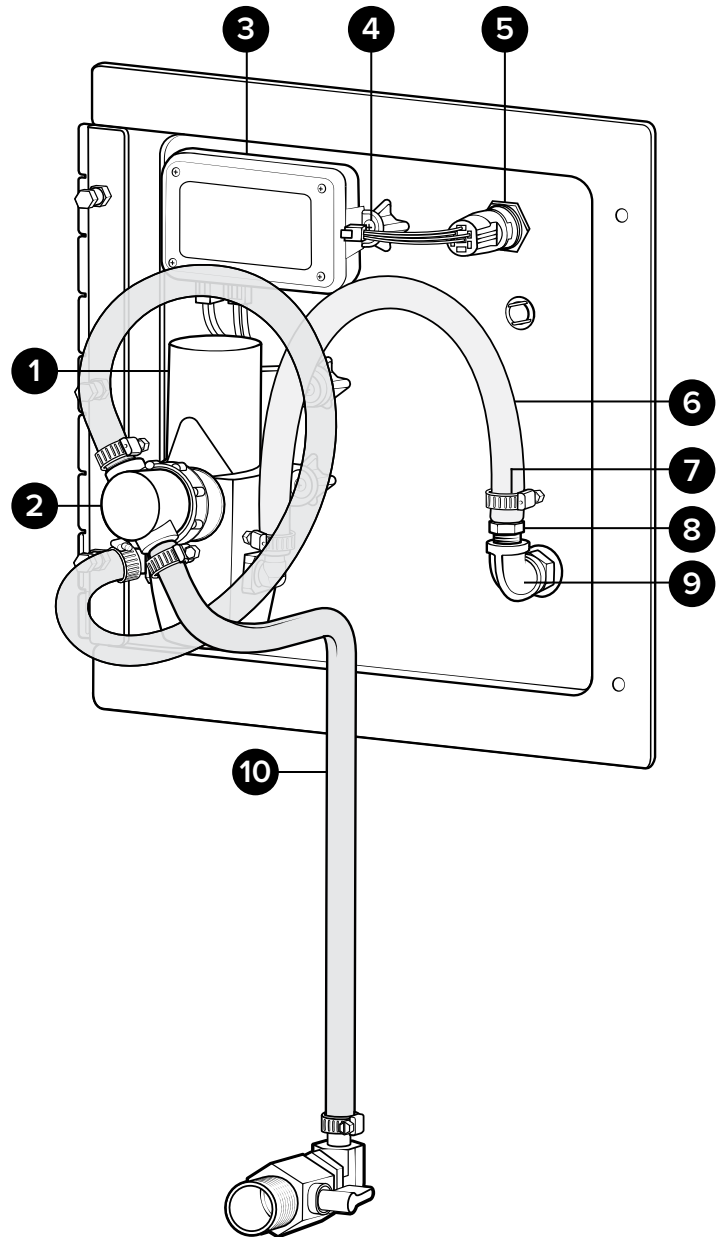
Back Plate Assembly

Inside view

PA-SP38-BP:

Plate assembly for portable spray battery unit - 24V battery - $\frac{3}{8}$ in. discharge hose barb - battery and charger sold separately

Item number	Description
1 EP24VDC-1-PS-MLX	Electric fluid pump - 24 VDC - 1 GPM open flow - 40 PSI max - Viton seals - Santo diaphragm includes pressure switch and molex connector
2 STR38-IL	Strainer - in line - 2x $\frac{3}{8}$ in. hose barb - EPDM gskt - #20 mesh SS screen - black bowl
3 LVRC-24V	Low voltage relay controller - 24 Volt - for SP-BP units
4 S1034-HL	Screw - #10 x $\frac{3}{4}$ in. - stainless steel - round head Phillips - hi-lo thread
5 PBSA-24V	Push button switch assembly - includes 24V LED locking switch and wire harness
6 H38BL-F	$\frac{3}{8}$ in. id blue hose - hybrid TPE available per ft.
7 SSC38	Screw band clamp - stainless steel - for $\frac{3}{8}$ in. hose
8 HBSS1438	Hose barb - stainless steel - $\frac{1}{4}$ in. MPT x $\frac{3}{8}$ in. barb
9 SEL14F	SS Elbow $\frac{1}{4}$ in. FPT x $\frac{1}{4}$ in. FPT
10 H38BK-HT	$\frac{3}{8}$ in. black hose - high temp EPDM rubber - available per ft.



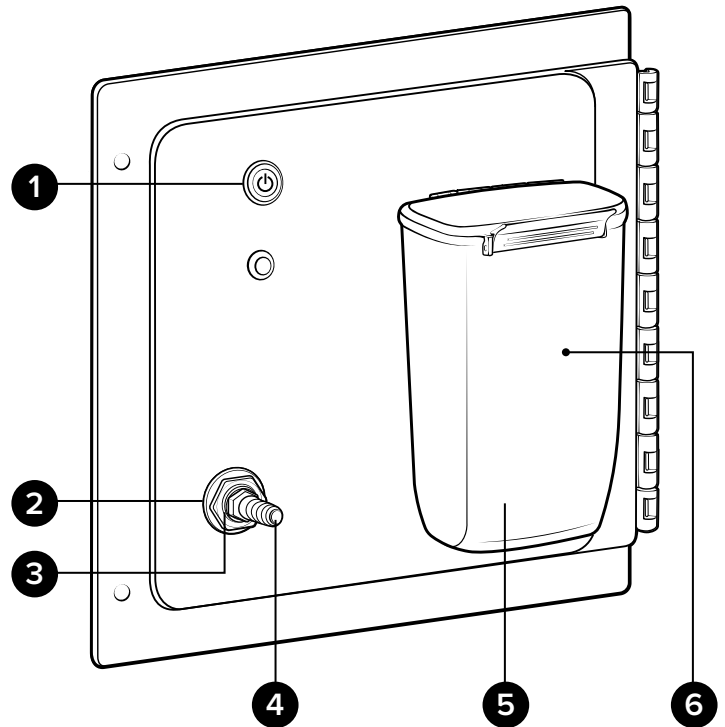
Back Plate Assembly

Back view

PA-SP38-BP:

Plate assembly for portable spray battery unit - 24V battery - 3/8 in. discharge hose barb - battery and charger sold separately

Item number	Description
1	PBSA-24V Push button switch assembly - includes 24V LED locking switch and wire harness
2	SSSFN12 Serrated flange nut - stainless - 1/2 in.
3	SSA14BKH Bulkhead adapter - stainless steel - 1/4 in. NPT x 1/4 in. NPSM
4	HBSS1438 Hose barb - stainless steel - 1/4 in. MPT x 3/8 in. barb
5	BLI-24V-BB Battery box - includes box, lid, latch, pins, and gasket
6	BLI-24V-RCVR Battery receiver interface plate for BLI-24V system

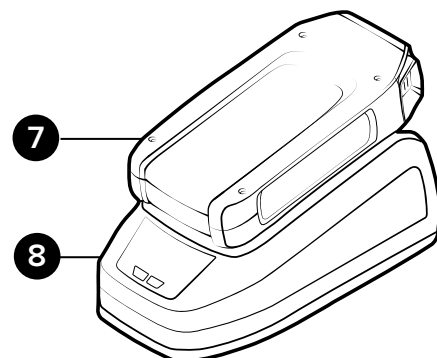
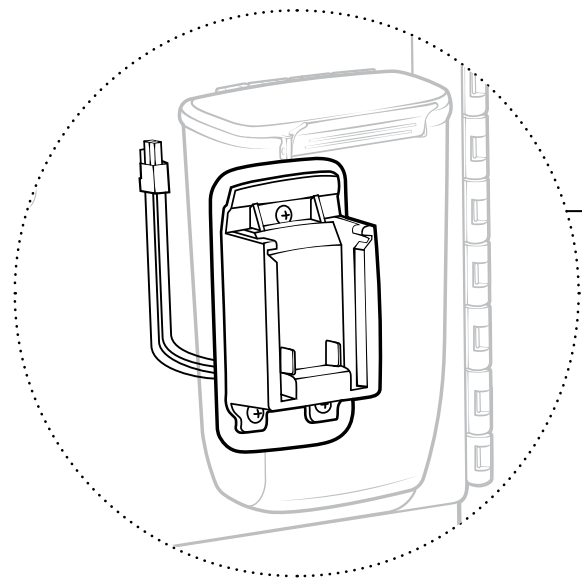


Battery and Charger*

*not included with backplate assembly

Item number	Description
7	BLI-24V-4AH Battery - lithium ion - 24V 4AH - includes manual
8	BLI-24V-CHRGR Battery - lithium ion - 24V - charger - includes NA power cord and manual

Note: Refer to battery and charger user manuals for more information.



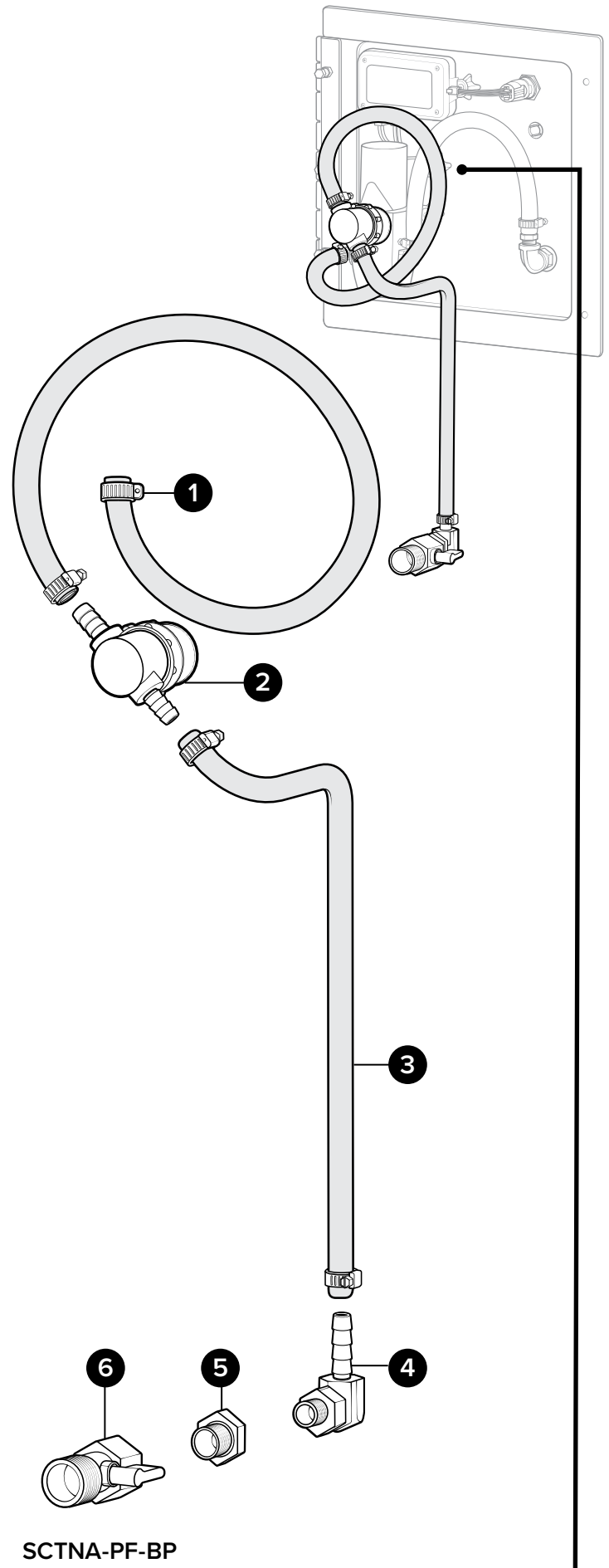
*not included with backplate assembly

Back Plate Sub-assemblies

SCTNA-PF-BP:

Suction assembly for battery equipped units - includes suction valve, hose, and in-line strainer

Item number	Description
1 SSC38	Screw band clamp - stainless steel - for 3/8 in. hose
2 STR38-IL	Strainer - in line - 2x 3/8 in. hose barb - EPDM gskt - #20 mesh SS screen - black bowl
3 H38BK-HT	3/8 in. black hose - high temp EPDM rubber - available per ft.
4 HBSEL1438	Hose barb - stainless steel - elbow - 1/4 in. MPT x 3/8 in. barb
5 HHPB3414	Hex head poly bushing - 3/4 MPT x 1/4 FPT
6 BVPVC34MF	Ball valve - PVC - 3/4 NPT to 3/4 FNPT Buna seal



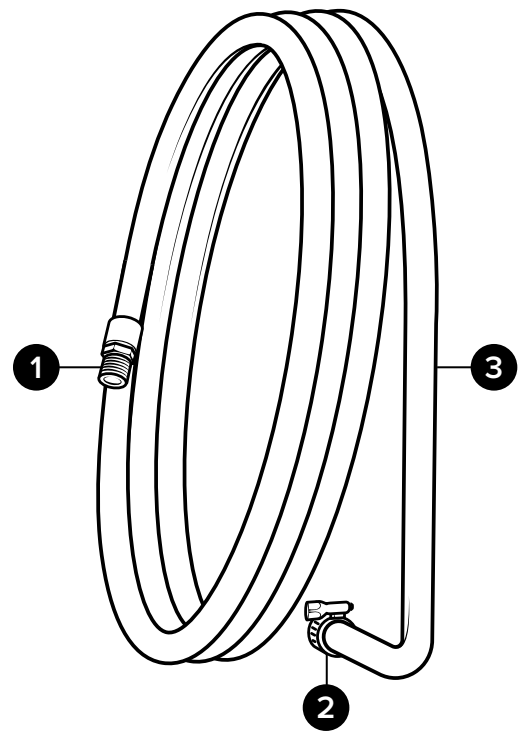
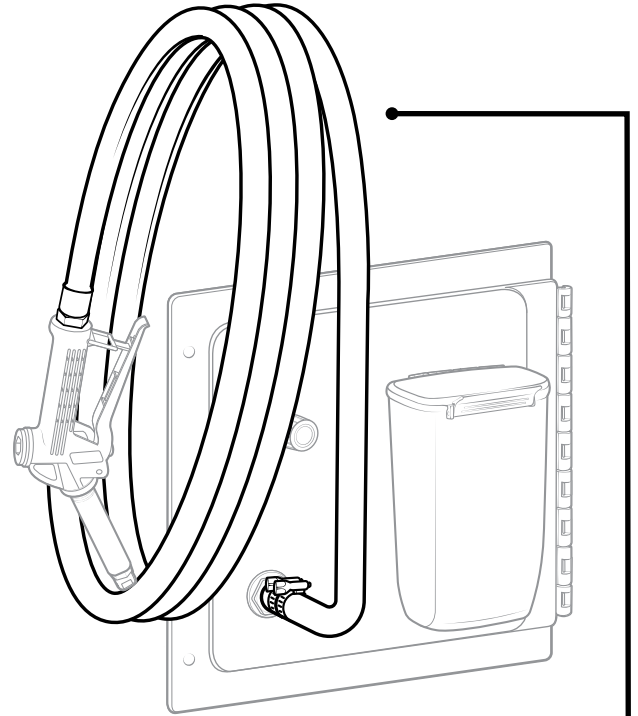
Hose Assembly

HA38BL-12:

Hose assembly - 12 ft. of $\frac{3}{8}$ in. blue* hose - includes ferruled hose barb

Item number	Description
1 HBSS1238	Hose barb - stainless steel - $\frac{1}{2}$ in. MPT x $\frac{3}{8}$ in. barb
2 SSC38	Screw band clamp - stainless steel - for $\frac{3}{8}$ in. hose
3 H38BL-F	$\frac{3}{8}$ in. id blue* hose - hybrid TPE - available per ft.

* Additional colors available, see datasheet for options.



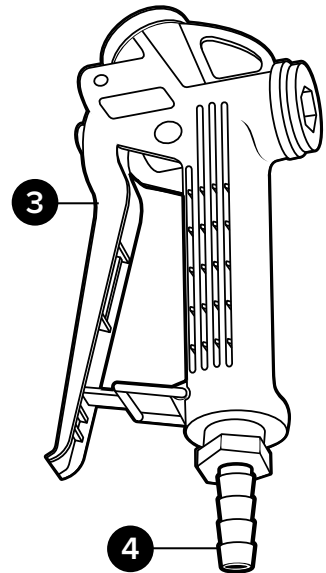
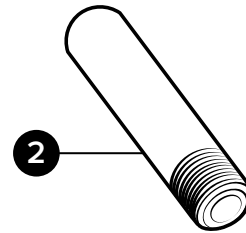
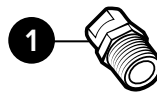
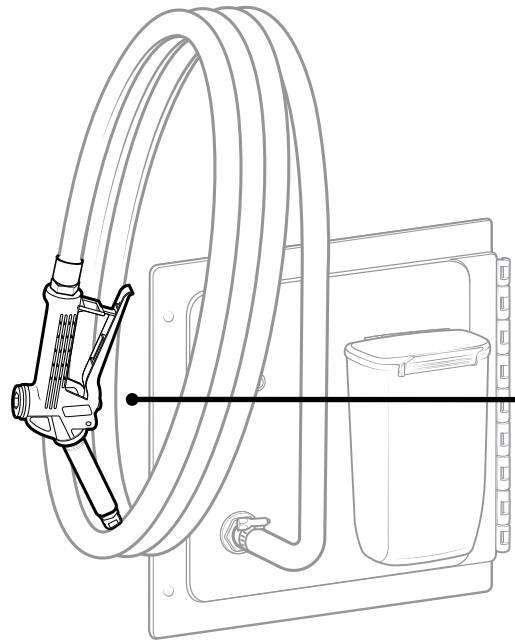
HA38BL-12

Wand Assembly

PSGA384-ST2510:

Poly spray gun assembly for $\frac{3}{8}$ in. hose - includes 4 in. black poly wand, ST2510SS spray tip, hose barb, and screw band clamp

Item number	Description
1 ST2510SS	Spray tip - 25 degree fan - 1.0 GPM - stainless - $\frac{1}{4}$ MPT
2 PW12M14F4	$\frac{1}{2}$ in. NPT and $\frac{1}{4}$ in. FNPT wand - black UHMW - 4 in. long
3 PSG12	Poly spray gun with 2x $\frac{1}{2}$ in. straight thread - gray handle with red clip - 316SS internal spring - includes 2x o-ring
4 HBSS1238	Hose barb - stainless steel - $\frac{1}{2}$ in. MPT x $\frac{3}{8}$ in. barb
5 SSC38	Screw band clamp - stainless steel - for $\frac{3}{8}$ in. hose



4

5



PSGA384-ST2510