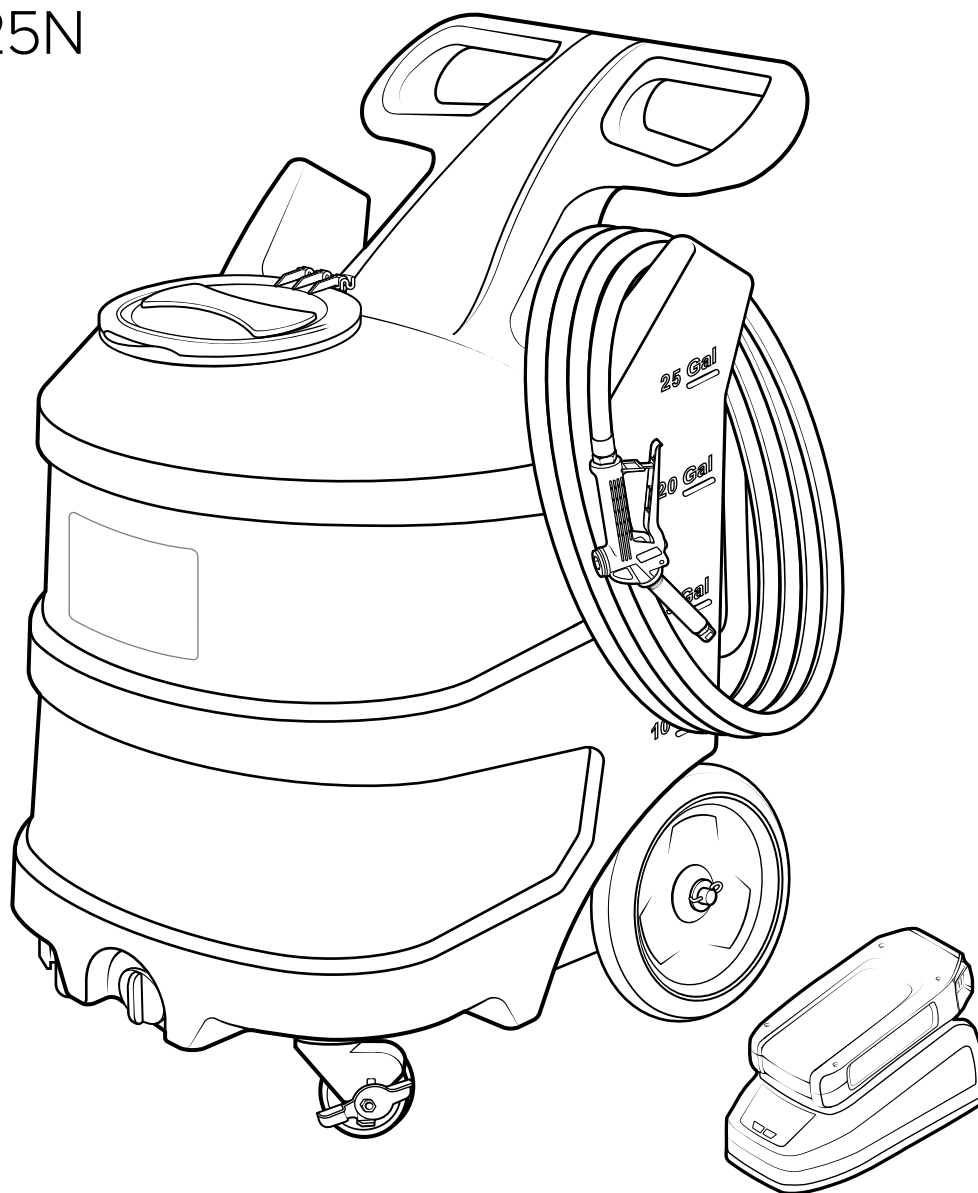


# 25 Gallon Battery Powered Spray Unit

## Operation Manual

SP-BP-25N



READ ALL INSTRUCTIONS BEFORE USING OR SERVICING THIS UNIT. KEEP THIS MANUAL IN A LOCATION THAT IS READILY AVAILABLE TO USERS AND SERVICE TECHNICIANS.

English (Original Instructions)



Scan this code for  
operation manual



# Safety

## **WARNING**

PEOPLE OR OBJECTS CAN BE HURT OR DAMAGED IF THIS UNIT IS NOT USED CORRECTLY!



Failure to read all the instructions before operating the unit may result in personal injury or death from the improper use or the chemical solution. Anyone handling, operating or using the unit must read and understand the instructions in the manual. The buyer assumes all responsibility for safety and proper use in accordance with the instructions.

The unit is not to be used by persons (including children) with reduced physical, sensory or mental capabilities, or lack of experience and knowledge, unless given supervision or instructed in the safe use of the unit and understand the hazards involved. Children under 8 years old should be supervised to ensure they do not play with or handle the unit.



Using or servicing the unit without appropriate personal protective equipment (PPE) may result in serious injury such as burns, rashes, eye, throat or lung damage and death. Always wear PPE as indicated in the Safety Data Sheet (SDS) when using or servicing the unit. Protect eyes, skin, and lungs against drifting spray.



Chemical solutions may pose a health risk and death if they contact the skin or eyes, are inhaled or swallowed. Always read and follow all chemical safety precautions and handling instructions provided by the chemical manufacturer and the SDS associated with the chemical solution before using the unit.



Pressure within the equipment may cause an unexpected release of the chemical solution and cause serious injury such as burns, rashes, eye damage, throat or lung damage and death. Always depressurize and clean the unit after each use. Never leave the unit unattended while pressurized.

Using the unit with fluid temperatures above 100°F (37.8°C) may result in scalding, burns, serious injury or death. DO NOT use a solution with a temperature above 100°F (37.8°C).

Some components may be hot during and after use. Use caution when servicing or handling the equipment.



Operating the unit when damaged or leaking may result in exposure to chemical solutions, serious injury or death. Never use the unit if it is damaged or leaking.

Use of hydrocarbons and flammable products may result in explosions, fire and serious injury or death. Never use hydrocarbons or flammable products with the unit.



Mixing an alkaline with an acid may result in a chemical reaction. Overheating of mixture may cause it to splatter caustic compounds or release hazardous fumes, gas and vapors. Always flush the unit with fresh water thoroughly when switching from an alkaline to an acid or an acid to an alkaline.

Never point the discharge wand at yourself, another person, or any object you do not want covered in chemical.



Keep battery box lid closed and latched at all times unless accessing battery. Do not use with lid open or damaged. Do not expose unit to liquids, cleaning solutions, or rain. The battery pack is not waterproof. Do not submerge in liquid. If battery pack gets wet, allow to dry before further use.

Using the unit with unapproved devices may result in a risk of fire, shock or personal injury. Only use with 24V Equip Series compatible equipment.

Store unit and battery indoors in a cool, dry location between 32°-77°F (0°-25°C) and < 75% relative humidity. Do not store below 32°F (0°C) or above 122°F (50°C). To prevent premature battery failure, do not store battery in depleted state for long periods of time.

# Safety

## **WARNING**

### First Aid Instructions

- Failure to follow first aid instructions may result in death or serious personal injury.
- If battery liquid comes in contact with skin, wash immediately with soap and water, then neutralize with lemon juice or vinegar.
- If battery liquid gets in your eyes, flush with clean water for a minimum of 10 minutes, then seek immediate medical attention.
- If battery liquid is swallowed, seek immediate medical attention.

### State of California Proposition 65 Warning

- The battery can expose you to chemicals, including cobalt, lithium, manganese, nickel, oxide, and carbon black, which are known to the State of California to cause cancer and reproductive harm. For additional information, go to [www.P65Warnings.ca.gov](http://www.P65Warnings.ca.gov).

## **NOTICE**

The unit is not rated for high-altitude areas of 2000 meters and above.

Servicing or modifying this unit with parts not listed in this manual may cause the unit to operate improperly. Do not use unauthorized parts when servicing the unit.

In the presence of radiated RF energies, the charge indicator button can lose functionality. Refer to the separate manuals supplied with the battery and charger for additional safety precautions and instructions.

### Protect the Environment



Please dispose of packaging materials, old machine components, and hazardous fluids in an environmentally safe way according to local waste disposal regulations.

Manufactured by: FOAMit  
3833 Soundtech Ct. SE Grand Rapids, MI 49512 US

# Product Overview

## Requirements

Liquid temperature range	40-100°F (4.4-37.8°C)
Electrical requirements	120-240 VAC at 50-60 Hz, 3A (GFCI protected outlet) for battery charger only
Operating voltage	24 VDC
Chemical compatibility	Chemical products used with this equipment must be formulated for this type of application and compatible with unit materials and pump seals. For more information on chemical compatibility, consult the manufacturer or SDS for your product or contact our customer service department.

## Specifications

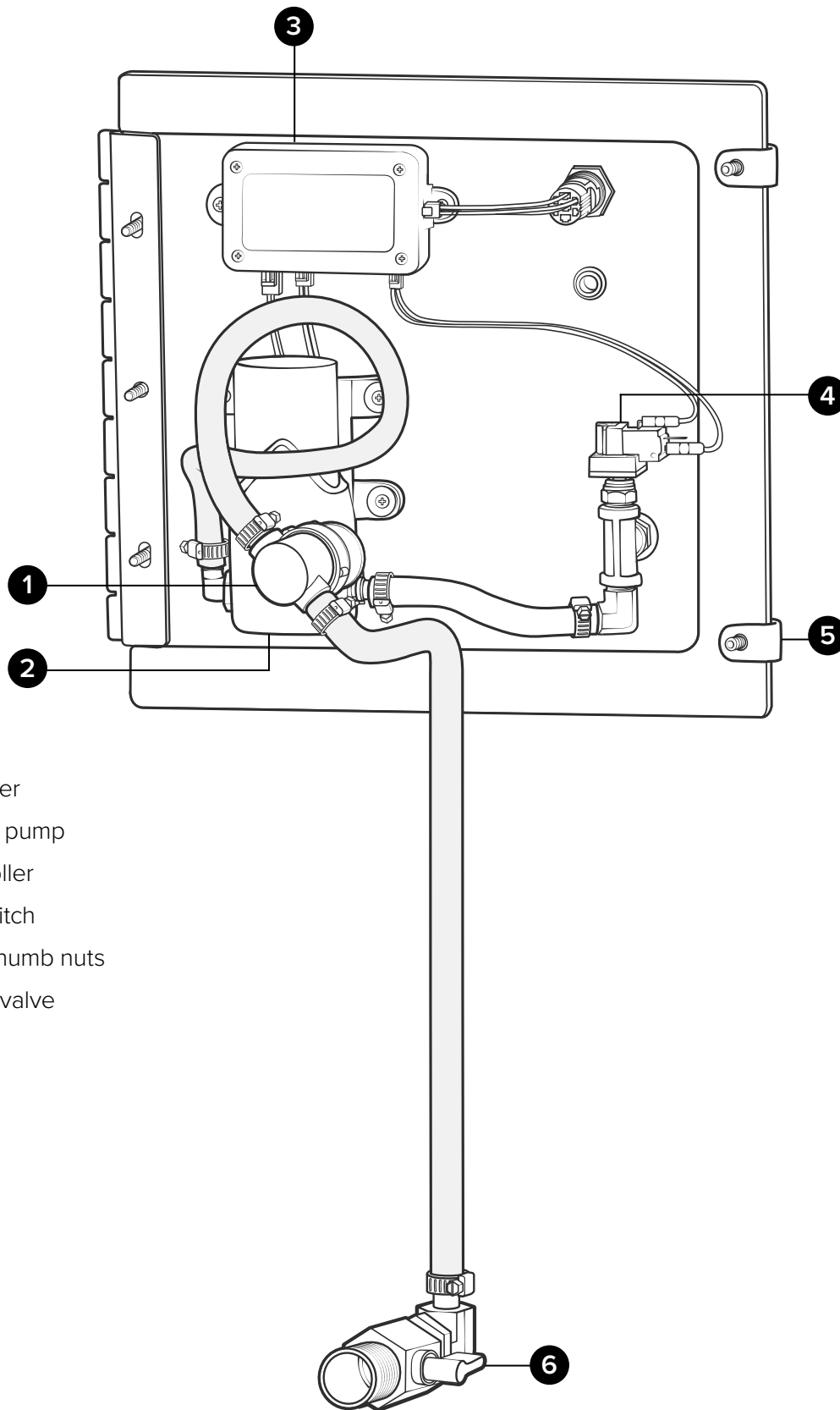
Power type	Lithium-ion battery
Battery charge time	1 hour 10 minutes
Battery run time	Up to 4 hours of continuous use
Chemical pickup type	Draws from pre-mixed solution
Number of products unit can draw from	One product
Suction line diameter	$\frac{3}{8}$ in. (9.5 mm) inside diameter
Capacity	25 gallons (94.6 liters)
Discharge line length/diameter	12 ft. (3.7 m) hose, with $\frac{3}{8}$ in. (9.5 mm) inside diameter
Discharge wand/tip type	Polypropylene spray gun with 25° fan tip
Output distance	Up to 8 ft. (2.4 m)
Output volume	0.7 gal/min (2.7 l/min)
Flow rate*	0.7 gal/min (2.7 l/min)
Pump seals	Santoprene diaphragm, Viton check seals
Wheel type	Two 10 inch (25.4 cm) non-marking wheels and two 3 inch (7.6 cm) casters, one with lock

\*Flow rates given are based on chemical with viscosity of water.

# Product Components

Get to know the SP-BP-25N components that you will need to use, adjust or assemble.

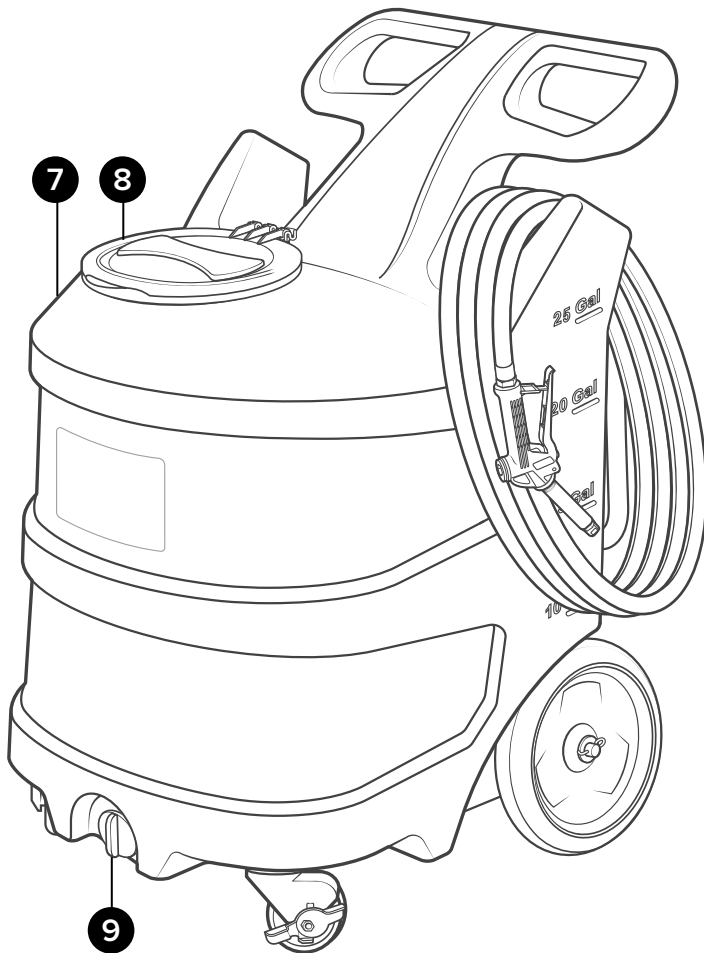
## Back plate assembly • Inside view



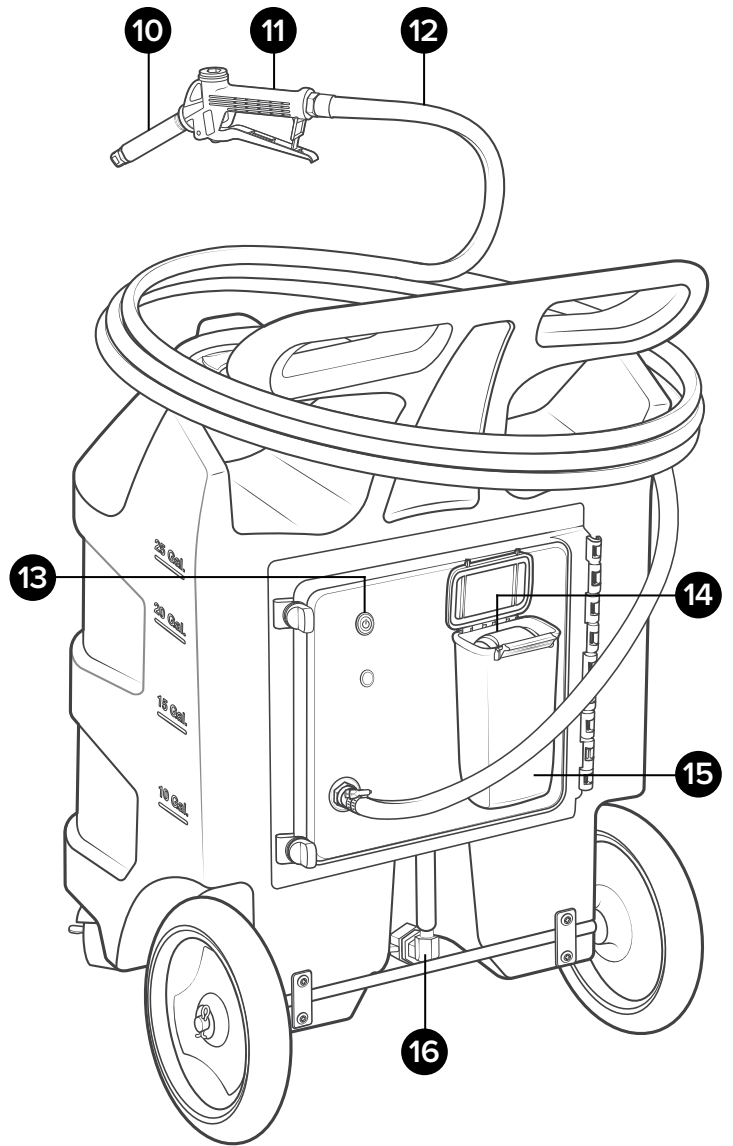
1. In-line strainer
2. Electric fluid pump
3. Relay controller
4. Pressure switch
5. Back plate thumb nuts
6. Suction line valve

# Tank Assembly

Front view



Back view



- 7. Solution tank
- 8. Hinged lid
- 9. Drain plug
- 10. Discharge wand
- 11. Trigger gun
- 12. Discharge hose
- 13. Power button
- 14. Battery
- 15. Battery box
- 16. Suction line valve

# Using your unit

## Operating Instructions

1. Remove battery and charger from packaging. **Battery must be fully charged before use.** Refer to charge level indicator table in battery user manual for more information.

2. Once fully charged, insert battery into the receiver until properly secure. Close lid and secure the latch.

**Note:** Keep battery box lid closed and latched unless accessing battery. Do not operate unit with lid open or damaged.

3. Verify drain plug is securely closed.

4. Following all instructions from the chemical manufacturer, fill the solution tank with pre-mixed solution.

5. Verify suction line valve at the base of the suction line is open, allowing fluid into the suction line.

6. Press the power button to turn on the unit.

7. Slowly squeeze trigger handle to begin spraying. Release trigger handle to stop.

## After Use Instructions

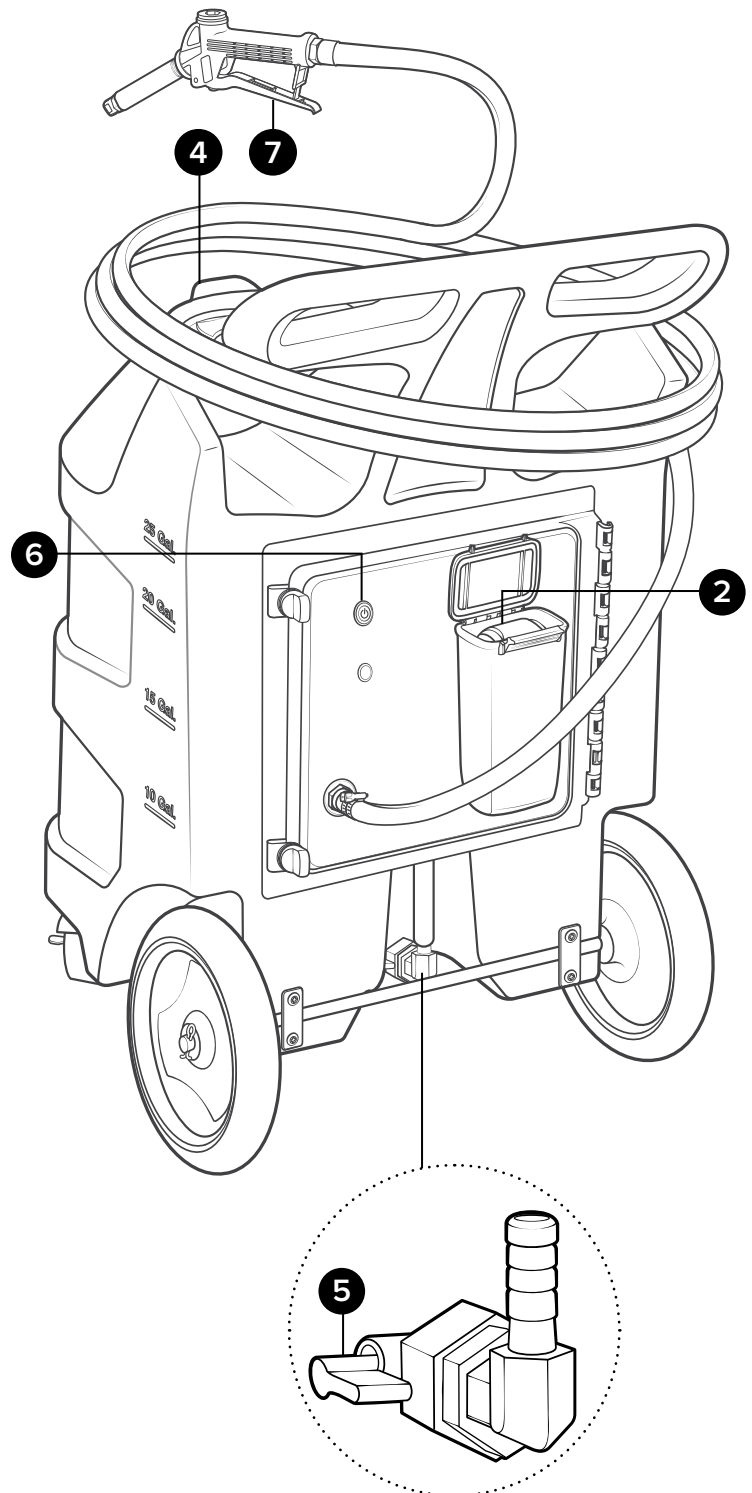
**Note:** For proper handling and disposal procedures refer to chemical SDS.

8. Solution should be removed from unit after each use. This can be done in two ways:

- a. Unthread drain plug from front of tank and drain solution into an approved location.
- b. Place discharge wand into approved container. Activate unit until all solution has been flushed from the system.

9. Press power button to turn off unit. Squeeze trigger handle to relieve remaining pressure.

10. Before using unit with another chemistry, thoroughly flush with water.



# Maintenance

## **WARNING**

Performing any maintenance with the unit pressurized, may result in serious injury or death. Always ensure the unit has been depressurized, and battery has been removed before conducting any maintenance. Cleaning and user maintenance shall not be made by children without supervision. Servicing or modifying unit with parts not listed in this manual may cause the unit to operate improperly. Do not use unauthorized parts when servicing the unit.

## Maintaining Your Unit

To keep your unit operating properly, periodically perform the following maintenance procedures:

- Inspect the pump for wear and leaks.
- Inspect all hoses for leaks or excessive wear. Verify all hose clamps are in good condition and properly secured.
- Check the suction line and strainer for debris. Clean as needed.
- Store battery in a half-charged state and maintain battery every 3-6 months.

## Servicing Your Unit

To service your unit, refer to the service manual which includes:

- Troubleshooting procedures.
- Detailed parts breakdowns and illustrations.
- Part numbers of serviceable components and assemblies.



Scan this code for  
service manual

