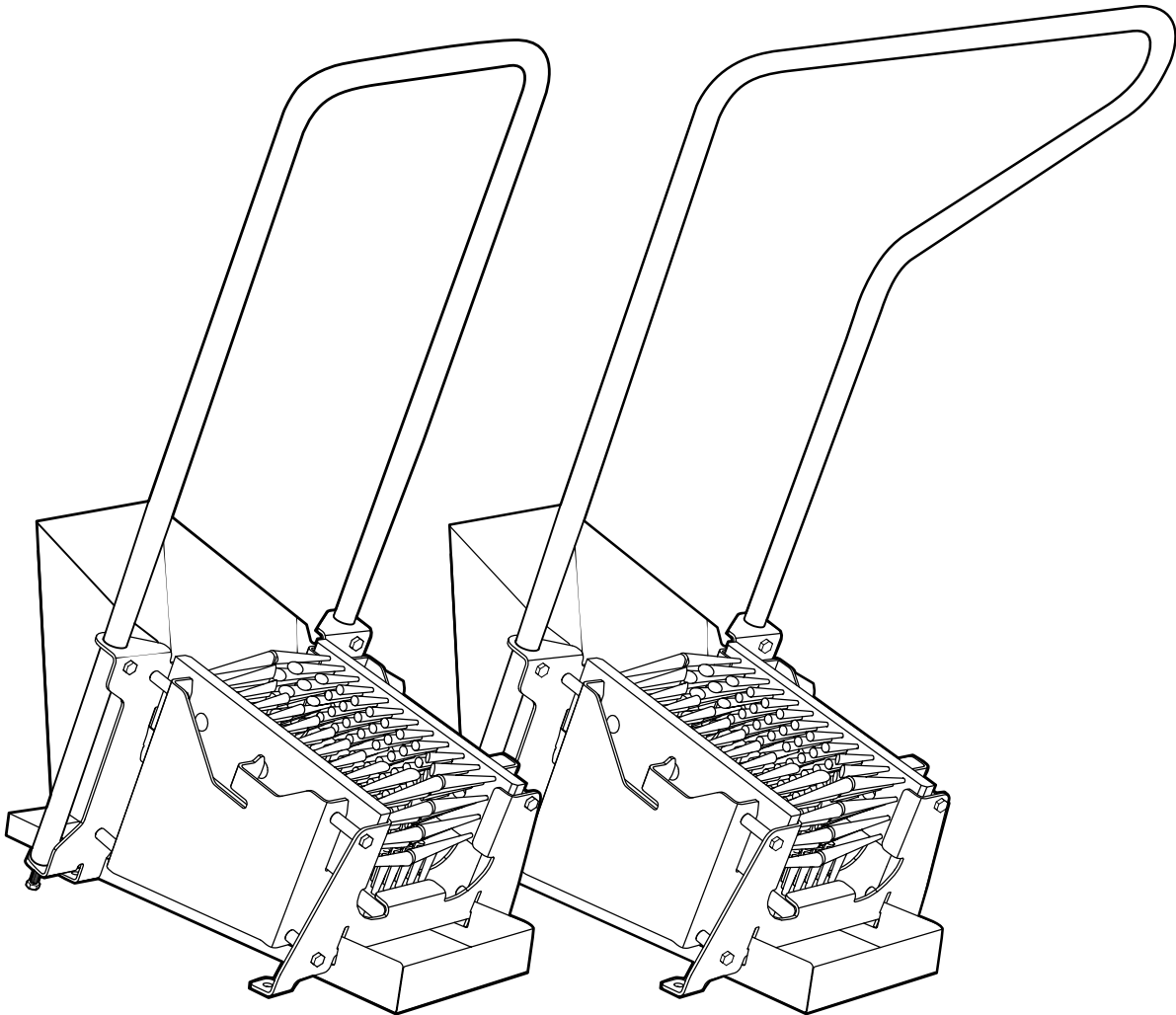


Manual Boot Scrubber

User Manual

MBS | MBS-C



MBS

MBS-C

READ ALL INSTRUCTIONS BEFORE USING OR SERVICING THIS UNIT. KEEP THIS MANUAL IN A LOCATION THAT IS READILY AVAILABLE TO USERS AND SERVICE TECHNICIANS.

English (Original Instructions)



Scan this code
for user manual



Safety

WARNING

PEOPLE OR OBJECTS CAN BE HURT OR DAMAGED IF THIS UNIT IS NOT USED CORRECTLY!



Failure to read all the instructions before operating the unit may result in personal injury or death from the improper use. Anyone handling, operating or using the unit must read and understand the instructions in the manual. The buyer assumes all responsibility for safety and proper use in accordance with the instructions.



Using or servicing the unit without appropriate personal protective equipment (PPE) may result in serious injury. Always wear PPE as indicated in the Safety Data Sheet (SDS) when using or servicing the unit.



This unit is for use with fully protective footwear only. This unit is designed to help sanitize footwear at transition zones and is not intended for any other use.

Servicing or modifying this unit with parts not listed in this manual may cause the unit to operate improperly. Do not use unauthorized parts when servicing the unit.



PROTECT THE ENVIRONMENT

Please dispose of packaging materials, old machine components, and hazardous fluids in an environmentally safe way according to local waste disposal regulations.

Maintenance

WARNING

Servicing or modifying this unit with parts not listed in this manual may cause the unit to operate improperly. Do not use unauthorized parts when servicing the unit. This unit is for use with fully protective footwear only.

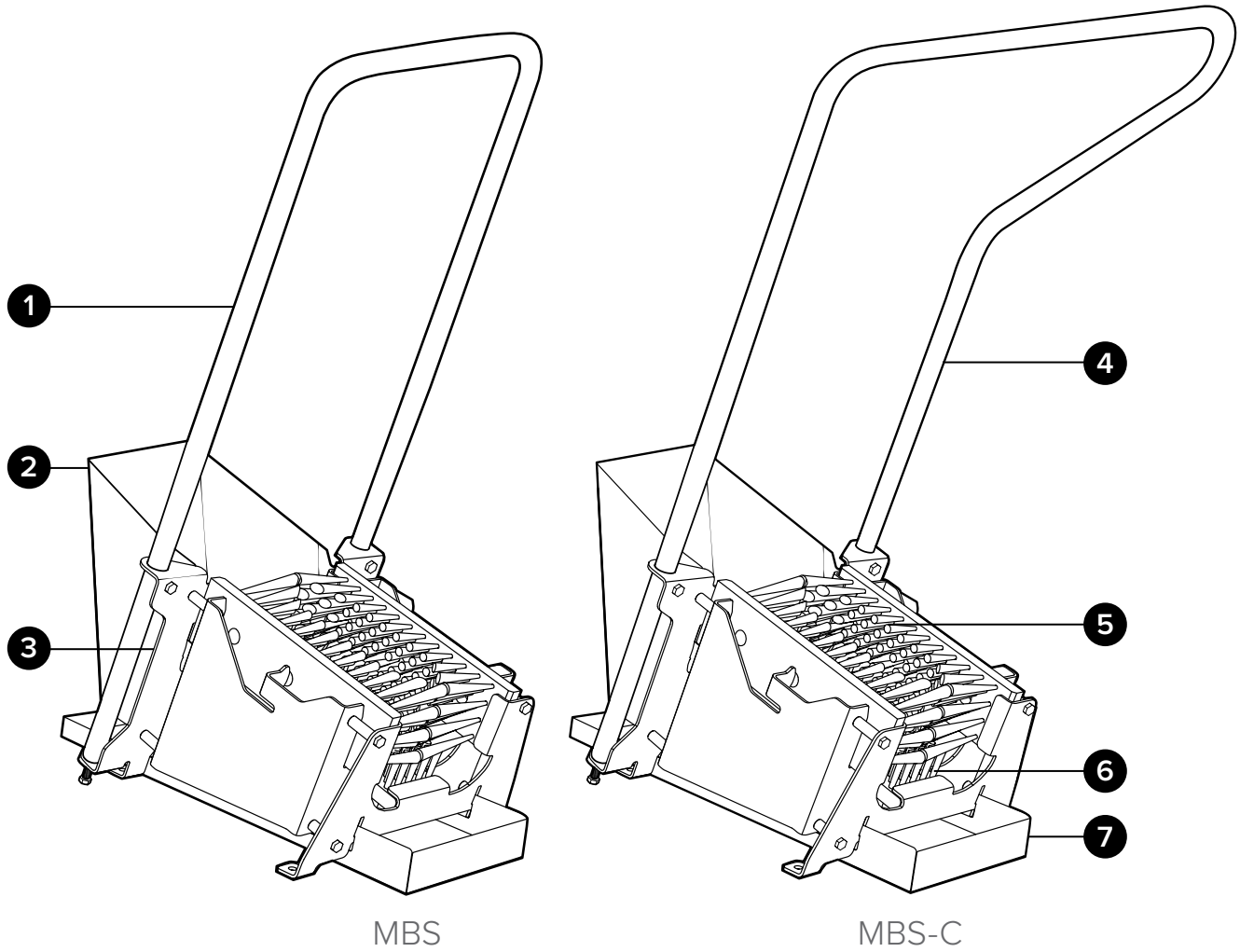
Maintaining Your Unit

To keep your unit operating properly, perform the following daily maintenance procedures:

- Remove brushes by lifting them out from the brush bracket. Remove debris and clean.
- Brushes should be replaced every 6 months depending on wear.
- Slide out debris tray. Empty debris and wipe clean.
- Base assembly of unit is fully stainless and can be cleaned in place by method suitable for stainless steel.

Product Components

Get to know the components that you will need to use, adjust or assemble.

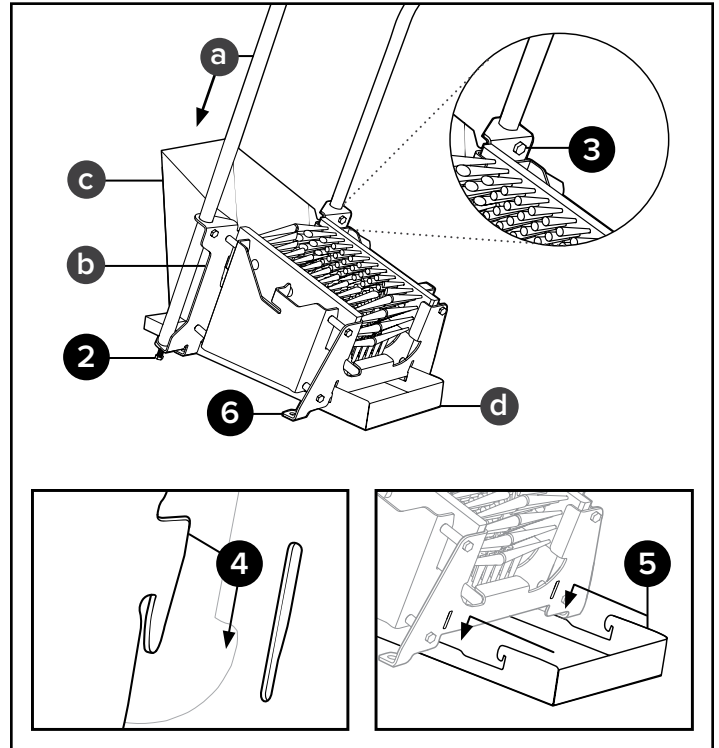


1. Straight handle
2. Debris shield
3. Boot scrubber base
4. Combo handle
5. Side brush
6. Sole brush
7. Debris tray

Using Your Unit

Installation Instructions

1. Select desired location to place the unit.
 2. Attach handle (a) by sliding it into boot scrubber base (b). Fasten with bolts on both ends.
 3. Secure the handle by tightening the bolt and lock nut on both sides.
 4. Connect debris shield (c) by sliding hooks into slots on the back of the boot scrubber frame
- Note:** Brushes must be removed before installing/uninstalling debris shield.
5. Slide debris tray (d) under the boot scrubber base (b). Lift up and hook tray into the front slots of the boot scrubber frame to secure.
 6. If desired, the unit is designed for secure floor installation. Mounting hardware not included.

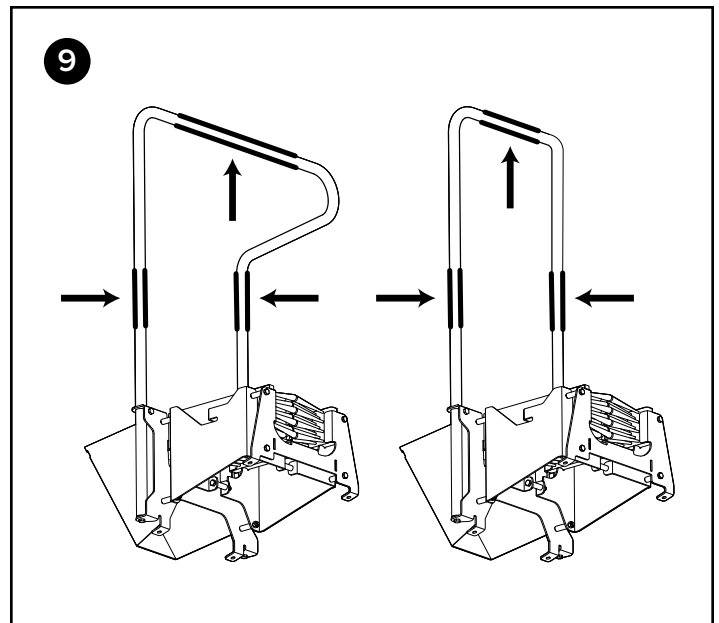


Operating Instructions

7. Grip the handle (a) above the manual boot scrubber with both hands to establish 3 points of contact.
8. Place one foot in the brushes and push foot back and forth to remove debris. Repeat the process with your other foot.

Handling Instructions

9. Use the indicated lift points for proper handling of your unit.

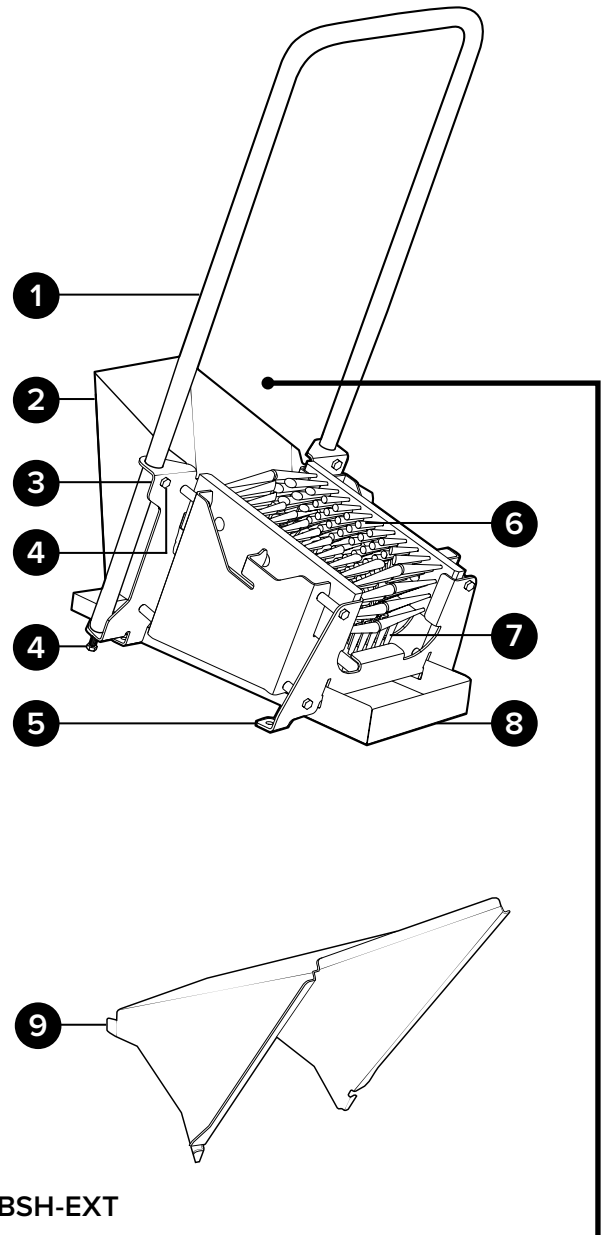


Servicing Your Unit

MBS:

Manual boot scrubber with straight handle

Item number	Description
1 HNDL-FS	Handle bar - footwear sanitizer - stainless steel
2 DBSH	Debris shield for manual boot scrubber - stainless steel
3 LN516	Locknut - 5/16-18 - stainless steel - nylon insert
4 B5161834-HH	Bolt - 5/16-18 x 3/4 in. - stainless steel - hex head
5 FMA-MBS	Floor mount assembly - MBS - includes base brackets, brushes and fasteners
6 BR-BLK10-SD	Brush - block - 10 in. - for MBS side - polypropylene with polypropylene bristles
7 BR-BLK10-SL	Brush - block - 10 in. - for MBS sole - polypropylene with polypropylene bristles
8 DBTR	Debris tray - manual boot scrubber - stainless steel



DBSH-EXT

**Optional component sold separately*

Optional Component

DBSH-EXT:

Debris shield extension for manual boot scrubber - stainless steel

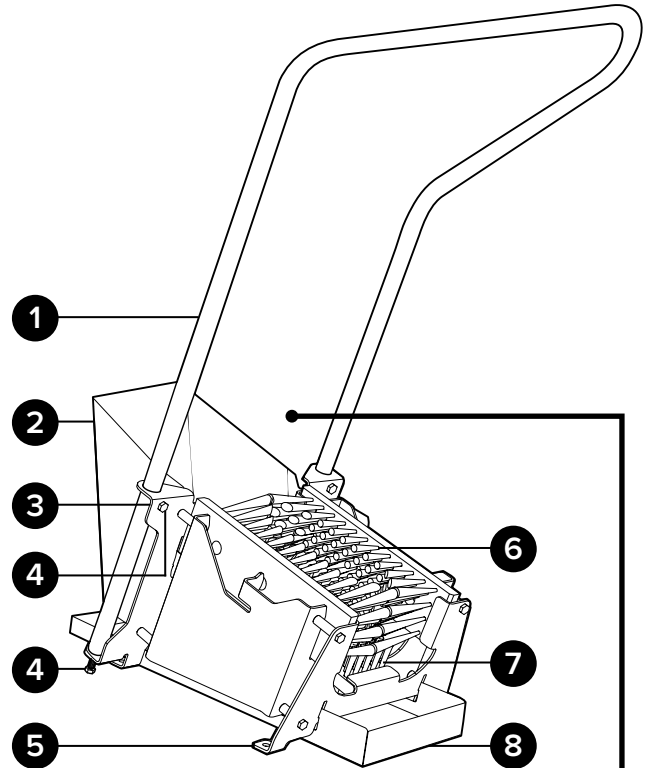
Item number	Description
9 DBSH-EXT	Debris shield extension for manual boot scrubber - stainless steel

Servicing Your Unit

MBS-C:

Manual boot scrubber with combo handle

Item number	Description
1 HNDL-FS-C	Handle bar - footwear sanitizer and manual boot scrubber combo stainless steel
2 DBSH	Debris shield for manual boot scrubber - stainless steel
3 LN516	Locknut - 5/16-18 - stainless steel - nylon insert
4 B5161834-HH	Bolt - 5/16-18 x 3/4 in. - stainless steel - hex head
5 FMA-MBS	Floor mount assembly - MBS - includes base brackets, brushes and fasteners
6 BR-BLK10-SD	Brush - block - 10 in. - for MBS side - polypropylene with polypropylene bristles
7 BR-BLK10-SL	Brush - block - 10 in. - for MBS sole - polypropylene with polypropylene bristles
8 DBTR	Debris tray for manual boot scrubber - stainless steel

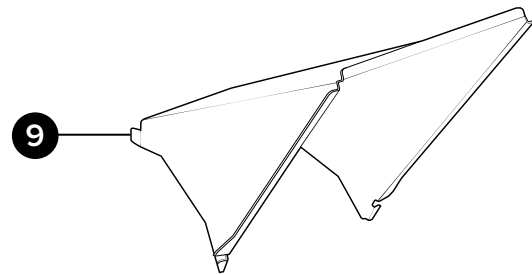


Optional Component

DBSH-EXT:

Debris shield extension for manual boot scrubber - stainless steel

Item number	Description
9 DBSH-EXT	Debris shield extension for manual boot scrubber - stainless steel



DBSH-EXT

**Optional component sold separately*