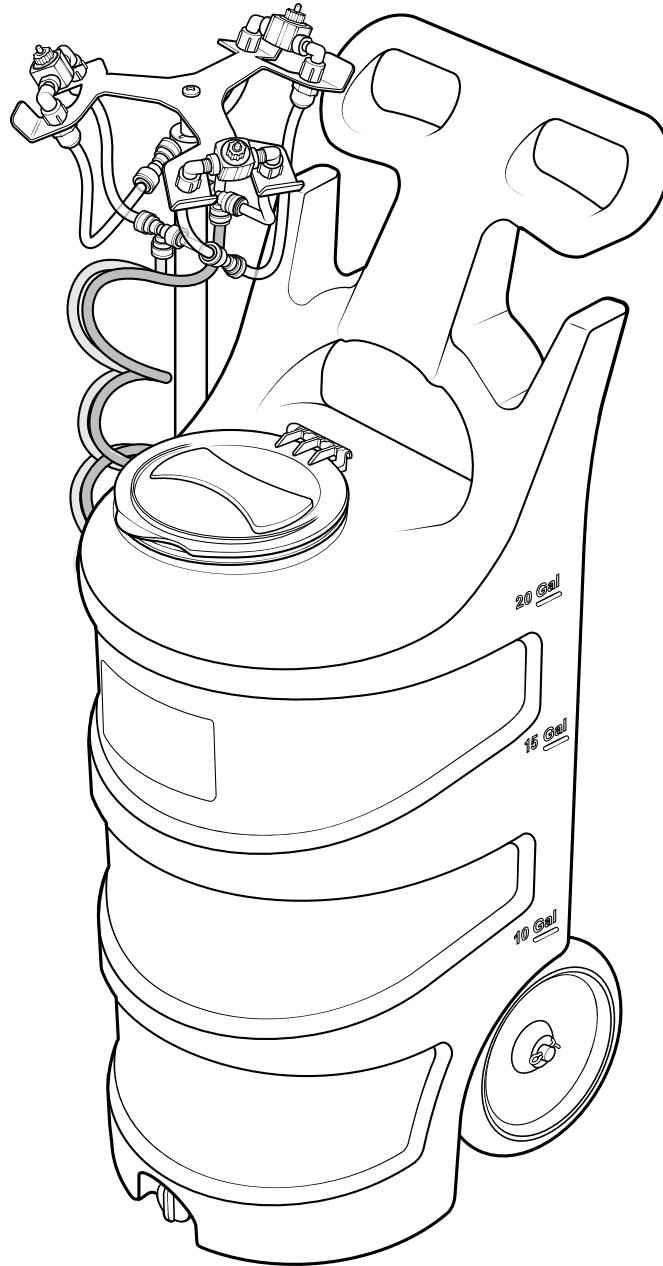


20 Gallon Fog Unit

Service Manual

FG-20N-3



READ ALL INSTRUCTIONS BEFORE USING OR SERVICING THIS UNIT. KEEP THIS MANUAL IN A LOCATION THAT IS READILY AVAILABLE TO USERS AND SERVICE TECHNICIANS.

English (Original Instructions)



Scan this code for
service manual



Safety

WARNING

PEOPLE OR OBJECTS CAN BE HURT OR DAMAGED IF THIS UNIT IS NOT USED CORRECTLY!



Failure to read all the instructions before operating the unit may result in personal injury or death from the improper use or the chemical solution. Anyone handling, operating or using the unit must read and understand the instructions in the manual. The buyer assumes all responsibility for safety and proper use in accordance with the instructions.



Using or servicing the unit without appropriate personal protective equipment (PPE) may result in serious injury such as burns, rashes, eye, throat or lung damage and death. Always wear PPE as indicated in the Safety Data Sheet (SDS) when using or servicing the unit. Protect eyes, skin, and lungs against drifting spray.



Chemical solutions may pose a health risk and death if they contact the skin or eyes, are inhaled or swallowed. Always read and follow all chemical safety precautions and handling instructions provided by the chemical manufacturer and the SDS associated with the chemical solution before using the unit.



Pressure within the equipment may cause an unexpected release of the chemical solution and cause serious injury such as burns, rashes, eye damage, throat or lung damage and death. Always depressurize and clean the unit after each use. Never leave the unit unattended while pressurized.

Using the unit with fluid temperatures above 100°F (37.8°C) may result in scalding, burns, serious injury or death. **DO NOT** use a solution with a temperature above 100°F (37.8°C).

Operating the unit when damaged or leaking may result in exposure to chemical solutions, serious injury or death. Never use the unit if it is damaged or leaking.

Never point the discharge wand at yourself, another person, or any object you do not want covered in chemical.



Using incoming air pressure exceeding 100 psi (6.9 bar) may result in pressure buildup, explosion, serious injury or death. **DO NOT** exceed 100 psi (6.9 bar) incoming air pressure when operating the unit.

Use of hydrocarbons and flammable products may result in explosions, fire and serious injury or death. Never use hydrocarbons or flammable products with the unit.



Mixing an alkaline with an acid may result in a chemical reaction. Overheating of the mixture may cause it to splatter caustic compounds or release hazardous fumes, gas and vapors. Always flush the unit with fresh water thoroughly when switching from an alkaline to an acid or an acid to an alkaline.

NOTICE

Servicing or modifying this unit with parts not listed in this manual may cause the unit to operate improperly. Do not use unauthorized parts when servicing the unit.

Use of an air lubricator before the unit may result in diminished performance and damage to the unit. Do not use an air lubricator before the unit.

Moisture in the air lines will damage the pump and diminish the pump life. The air must be filtered, clean, dry and free of moisture. If needed, install an air dryer before the unit.

PROTECT THE ENVIRONMENT



Please dispose of packaging materials, old machine components, and hazardous fluids in an environmentally safe way according to local waste disposal regulations.

Service Guide

⚠ WARNING

Performing any maintenance with the unit pressurized and connected to the air supply may result in serious injury or death. Always ensure that the unit has been depressurized and disconnected from the air supply before conducting any maintenance. Servicing or modifying this unit with parts not listed in this manual may cause the unit to operate improperly. Do not use unauthorized parts when servicing the unit.

Maintaining Your Unit

To keep your unit operating properly, periodically perform the following maintenance procedures:

- Inspect the pump for wear and leaks.
 - Inspect all hoses for leaks or excessive wear.
 - Ensure all hose clamps are in good condition and properly secured.
 - Check suction line and strainer for debris. Clean as needed.
 - Inspect nozzles for debris. Clean as needed.
 - Drain your air compressor tank on a regular basis to help extend pump life. An air source with a high moisture content will accelerate pump wear.
- Note:** If your air source has a high moisture content, install a water separator to the air fitting on the backplate. See Page 8 for more details. (Back plate assembly)

Servicing Your Unit

Most repairs on the unit can be performed with the following tools:

- Crescent wrench (2x)
- $\frac{7}{16}$ in. (11 mm) open-ended wrench
- Flat head screwdriver
- Thread seal tape
- #2 Phillips head screwdriver
- #3 Phillips head screwdriver
- Hose cutters
- Knife

Troubleshooting Your Unit

If your unit is not operating properly, try using these troubleshooting tips:

Issue	Solution
Pump is cycling too fast	<ul style="list-style-type: none">• Ensure the suction line ball valve at the bottom of the tank is open.
Pump is cycling too slow	<ul style="list-style-type: none">• Inspect the outlet side of pump for build up. Clean as needed.
Air passes through the pump without cycling	<ul style="list-style-type: none">• The pump needs to be replaced.
Chemical found in the air bowl or coming out of the pump exhaust	<ul style="list-style-type: none">• The pump diaphragm is torn, replace pump.
The unit operates at a reduced pressure	<ul style="list-style-type: none">• Check suction line and strainer for debris or damage. Clean or replace as needed. To prevent damage to the unit, the strainer must always be used.• Check the air compressor supplying the unit. If the pressure is less than 40 psi (2.8 bar), turn off the unit until the compressor can catch up.• If the air supply is 50 psi (3.4 bar) or above, check the air gauge, which should read near 50 psi (3.4 bar). If the air gauge reads more or less than 50 psi (3.4 bar), adjust pressure by turning the knob on the top of the air regulator.

Tank Assembly

Front view

TNKA-20N-IN-BK:

20 gallon natural tank assembly with side inserts - black* lid - includes drain plug, wheels, suction valve, and backplate thumb nuts

LDA-7BK:

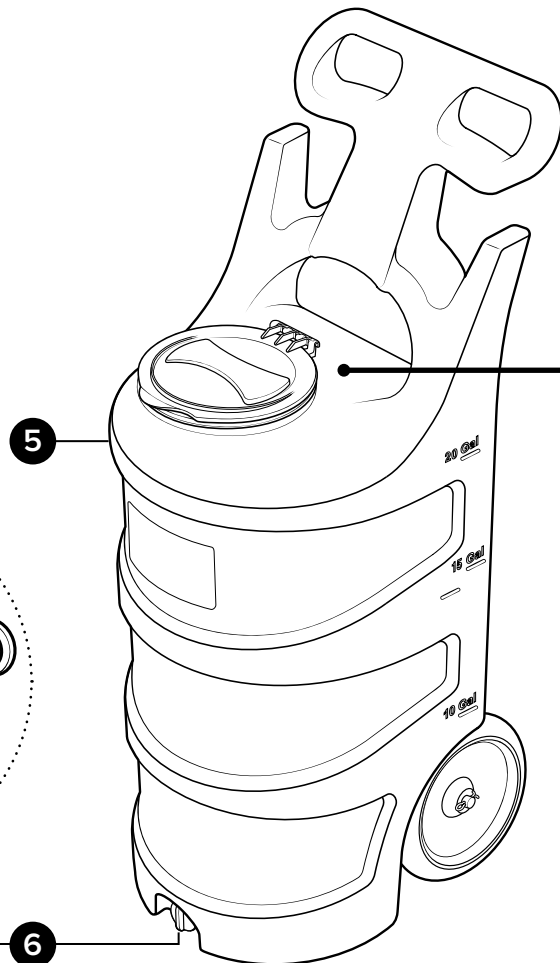
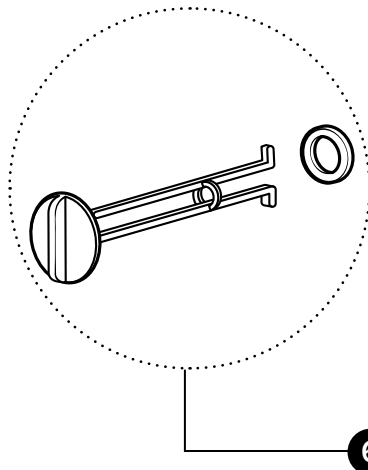
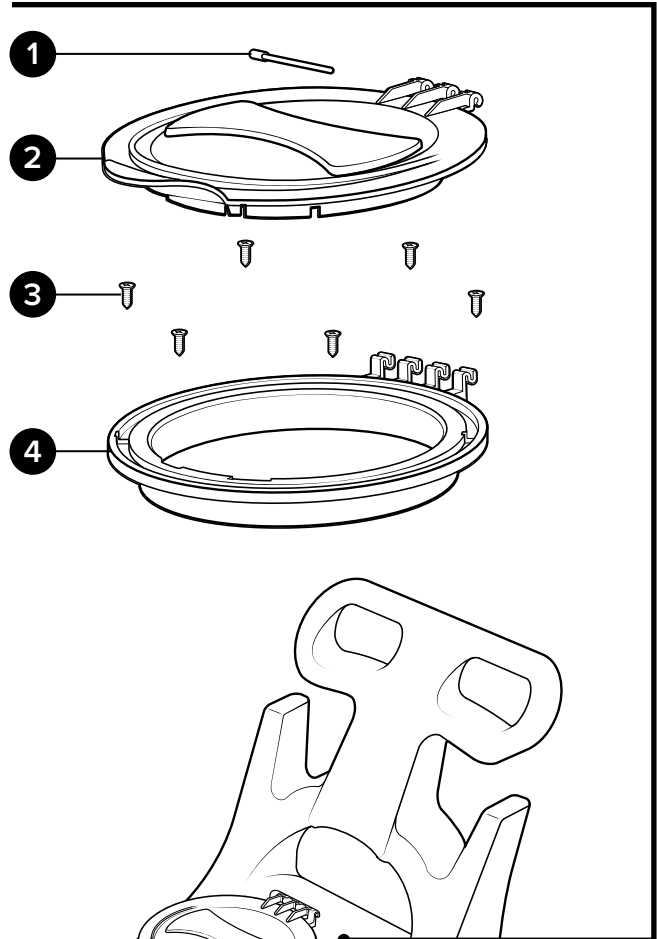
Lid assembly - includes 7 in. black* lid, lid flange, hinge pin, and mounting screws

Item number	Description	
1	LD-PIN	Hinge pin for 7 in. lid and flange
2	LD-7BK-LID	Lid - 7 in. - polypropylene - black*
3	S812-FH	Screw - #8 x 1/2 in. - stainless steel - flat head Phillips
4	LD-7BK-FLNG	Lid flange - 7 in. - polypropylene - black*

* Additional colors available, see datasheet for options.

Item number	Description	
5	TNK-20N	Tank - 20 gallon natural - portable
6	DPA	Drain plug assembly for portable units - includes gasket

LDA-7BK



Tank Assembly

Back view

TNKA-20N-IN-BK:

20 gallon natural tank assembly with side inserts - black* lid - includes drain plug, wheels, suction valve, and backplate thumb nuts

BPTNA:

Back plate thumb nut assembly - includes bolt, thumb nut, and tether

Item number	Description
1	BST1420118-VS Bolt - set - ¼-20 x 1 ½ in. - stainless steel - Vibra-Seal
2	TN1420 Thumb nut - ¼-20 x 1 ¼ in. - PP - brass insert - assembled with tether

VLVA-BVPVC34:

Suction valve assembly - includes ¾ in. PVC valve, bushing, ¾ in. hose barb elbow, and screw band clamp

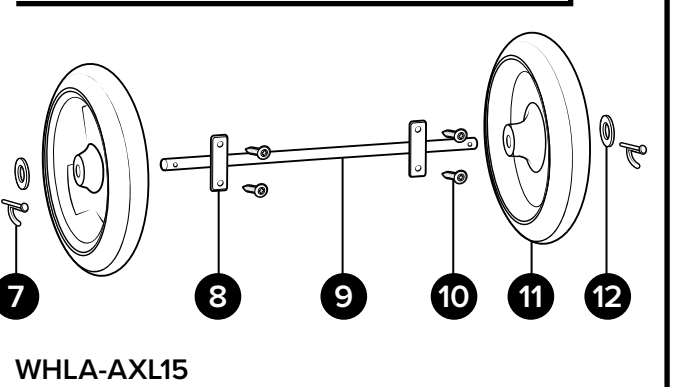
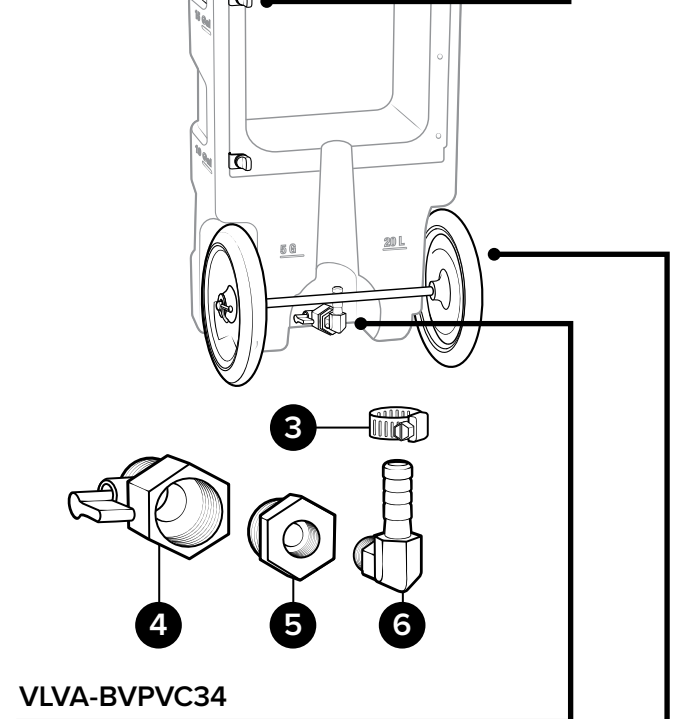
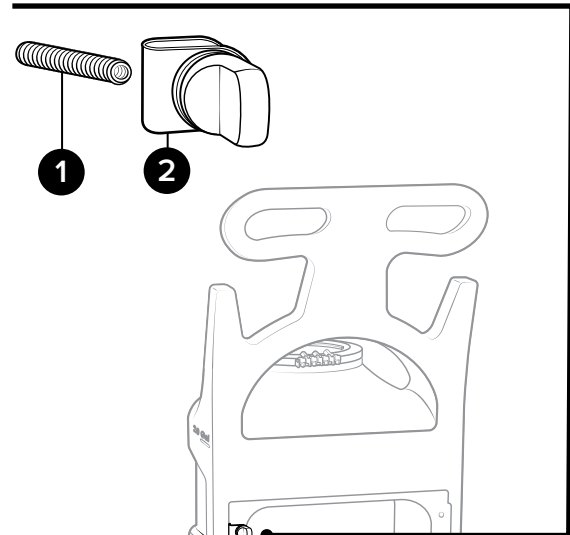
Item number	Description
3	SSC38 Screw band clamp - stainless steel - for ¾ in. hose
4	BVPVC34MF Ball valve - PVC - ¾ NPT to ¾ FNPT - Buna seal
5	HHPB3414 Hex head poly bushing - ¾ in. MPT x ¼ in. FPT
6	HBSSEL1438 Hose barb - stainless steel - elbow - ¼ in. MPT x ¾ in. barb

WHLA-AXL15:

10 in. wheel assembly - includes 15 in. stainless steel axle, axle plate, bolts, washers, and cotter pins

Item number	Description
7	COT Cotter pin - stainless steel - ⅛ in. dia x 1 in. long
8	PLSS-AXL Axle plate - stainless steel - 2.5 in. x 1 in. - 2 holes
9	AXL15 Axle - stainless - 0.625 dia. x 15.45 in.
10	B142012-VS Bolt - ¼-20 x ½ in. - stainless steel - truss head Phillips - Vibra-Seal
11	W10 Wheel - 10 in. - non-marking
12	FW58 Flat washer for ⅝ in. od pipe or axle - stainless steel - 0.64 in. id x 1.2 in. od x 0.05 in. thk

BPTNA



Back Plate Assembly

Inside view

PA-PNZ:

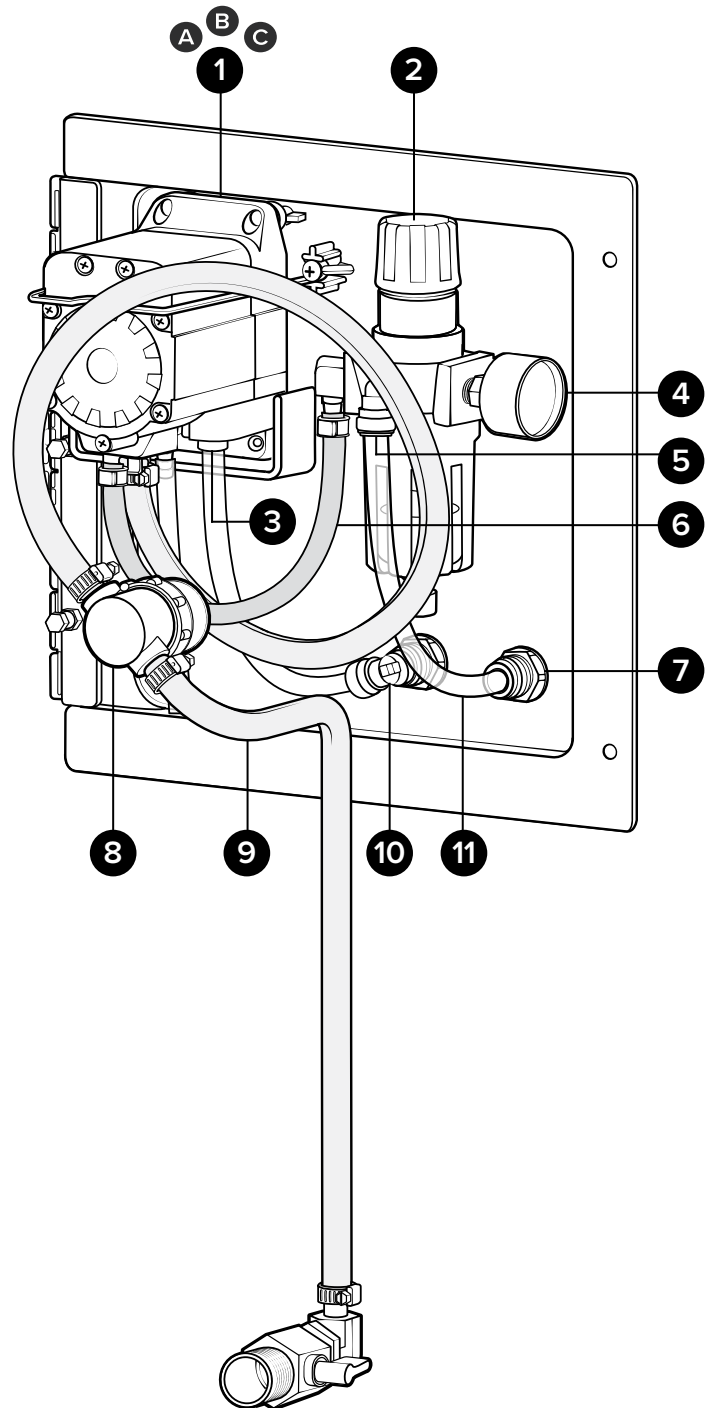
Plate assembly for portable fog units - Santoprene pump

Additional plate assembly pump options:

PA-PNZK: Kalrez pump

PA-PNZV: Viton pump

Item number	Description
1 A P56	Pump with Santoprene seals - includes hose barbs, air fitting, and exhaust barb
B P56K	Pump with Kalrez seals - includes hose barbs, air fitting, and exhaust barb
C P56V	Pump with Viton seals - includes hose barbs, air fitting, and exhaust barb
2 R14	Regulator - air - 4x ¼ in. FPT ports - no gauge
3 QF5638	Quick fit pump fitting for ¾ in. tube - EPDM o-ring - for G57/P56 - sold individually
4 AG100	Air gauge - ½ in. NPT - 0-100 PSI markings - dry model
5 QFEL1438	Fixed elbow ¼ in. MPT x ¾ in. tube - polypropylene
6 H14BL-F	¼ in. id blue hose - hybrid TPE - available per ft.
7 QFBH38	Bulkhead ¾ in. tube polypropylene
8 STR38-IL-80	In line strainer - 2x ¾ hose barb - EPDM gasket - #80 mesh SS screen - gray bowl
9 H38BL-F	¾ in. id blue hose - hybrid TPE - available per ft.
10 QFSEL38	Plug-in elbow ¾ in. tube x ¾ in. polypropylene
11 TB38N-PE	¾ in. od natural tube - polyethylene - available per ft.



Back Plate Assembly

Back view

PA-PNZ:

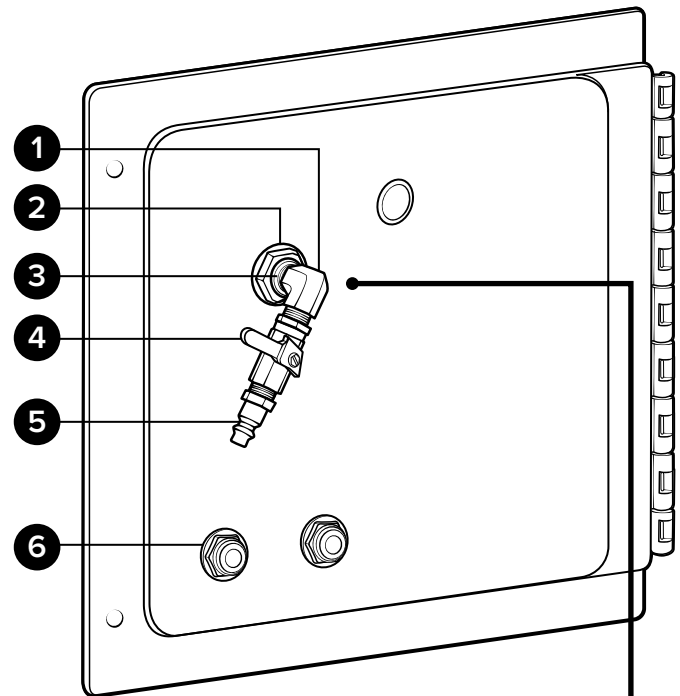
Plate assembly for portable fog units - Santoprene pump

Additional plate assembly pump options:

PA-PNZK: Kalrez pump

PA-PNZV: Viton pump

Item number	Description	
1	SEL14M	Stainless elbow ¼ in. MPT x ¼ in. MPT
2	SSSFN12	Serrated flange nut - stainless - ½ in.
3	SSA14BKH	Bulkhead adapter - stainless steel - ¼ in. NPT x ¼ in. NPSM
4	BVB14	Ball valve - brass - nickel plated - air inlet valve - ¼ in. FPT x ¼ in. FPT
5	AP14	Air fitting - ¼ in. MPT quick disconnect hose coupling plug - nickel-plated brass
6	QFBH38	Bulkhead ⅜ in. tube polypropylene

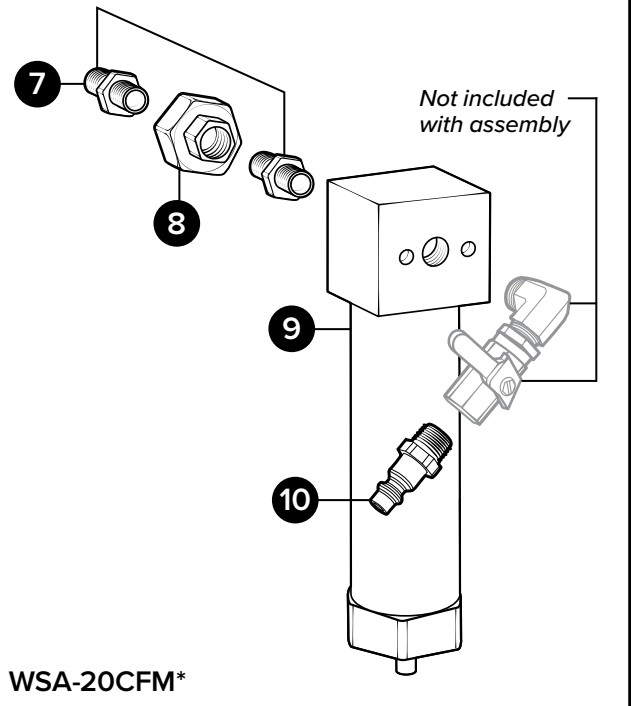


Optional Components

WSA-20CFM:

Water separator assembly - 20 CFM - ¼ in. FPT ports - includes air plug and union fittings

Item number	Description	
7	SN1414	Stainless hex nipple ¼ MPT x ¼ MPT
8	SSU14	Stainless steel union - ¼ in. FPT
9	WS-20CFM	Tsunami water separator/air dryer - 20 CFM - ¼ in. FPT ports
10	AP14	Air fitting - ¼ in. MPT quick disconnect hose coupling plug - nickel-plated brass



WSA-20CFM*

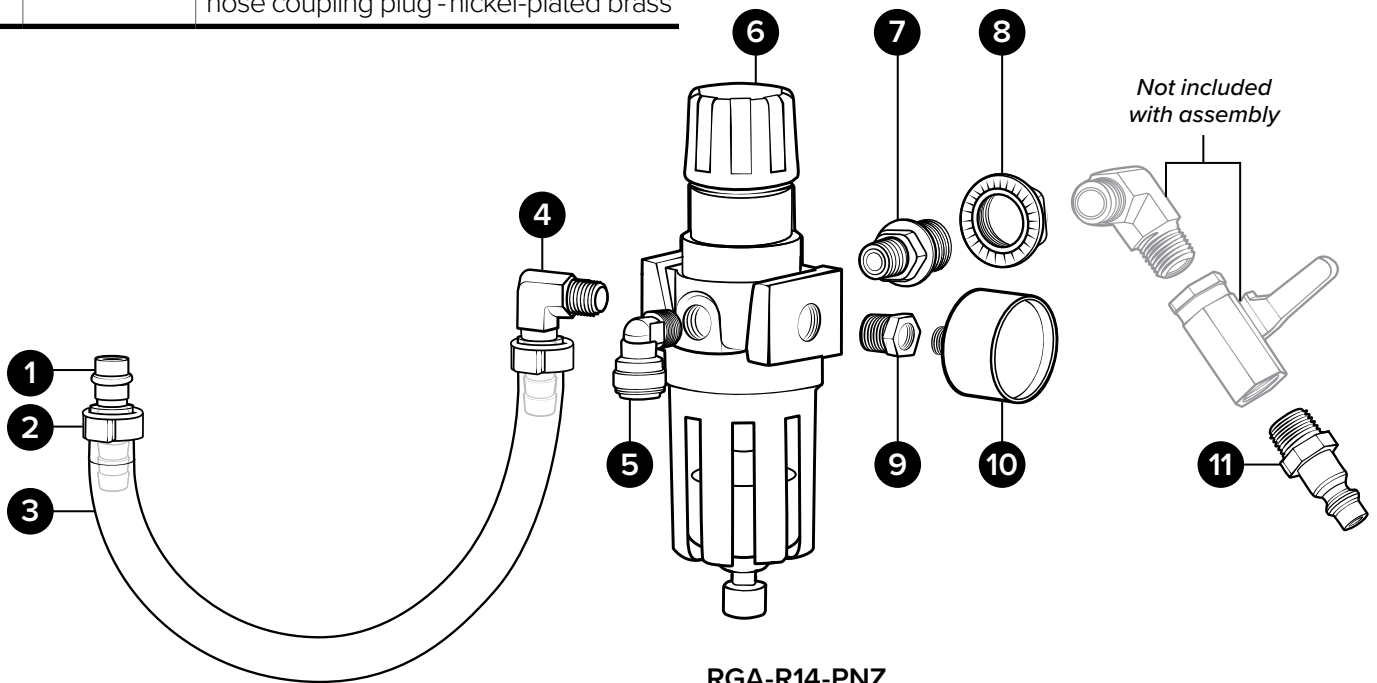
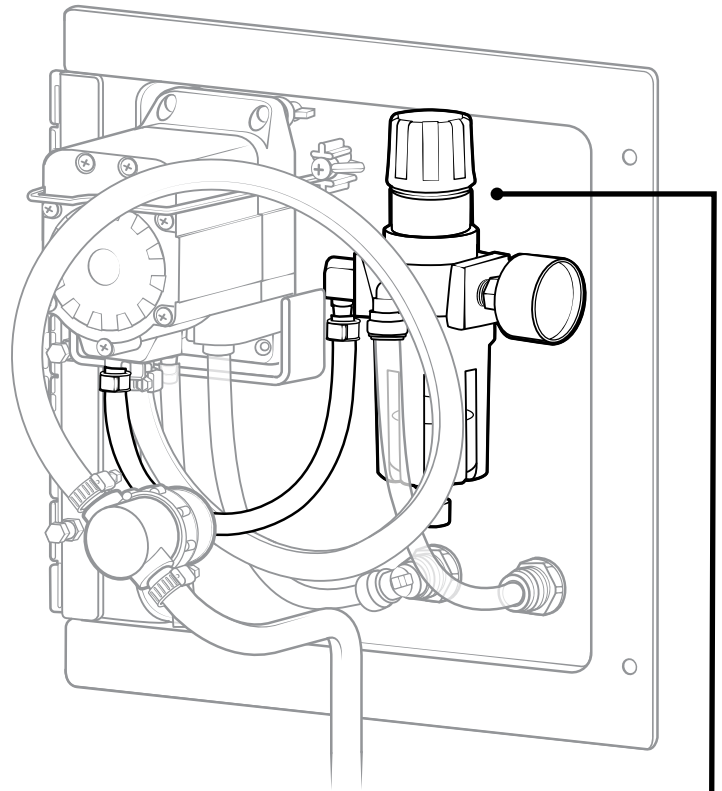
*Optional assembly sold separately

Back Plate Sub-assemblies

RGA-R14-PNZ:

Air regulator assembly for portable fog units - includes air gauge, pump barb, hose, bulkhead fittings, and air plug

Item number	Description
1	HBB14P ¼ in. hose barb - brass - for G57/P56 air fitting with o-ring
2	EC14 Ear clamp - Oetiker - stainless steel for ¼ in. hose
3	H14BL-F ¼ in. id blue hose - hybrid TPE - available per ft.
4	HBSEL1414 Stainless hose barb ¼ MPT x ¼ barb elbow
5	QFEL1438 Fixed elbow ¼ in. MPT x ¾ in. tube - polypropylene
6	R14 Regulator - air - 4x ¼ in. FPT ports - no gauge
7	SSA14BKH Bulkhead adapter - stainless steel - ¼ in. NPT x ¼ in. NPSM
8	SSSFN12 Serrated flange nut - stainless - ½ in.
9	HHSB1418 Hex head stainless bushing ¼ MPT x ⅛ FPT
10	AG100 Air gauge - ⅛ in. NPT - 0-100 PSI markings - dry model
11	AP14 Air fitting - ¼ in. MPT quick disconnect hose coupling plug - nickel-plated brass



RGA-R14-PNZ

Back Plate Sub-assemblies

SCTNA-PNZ:

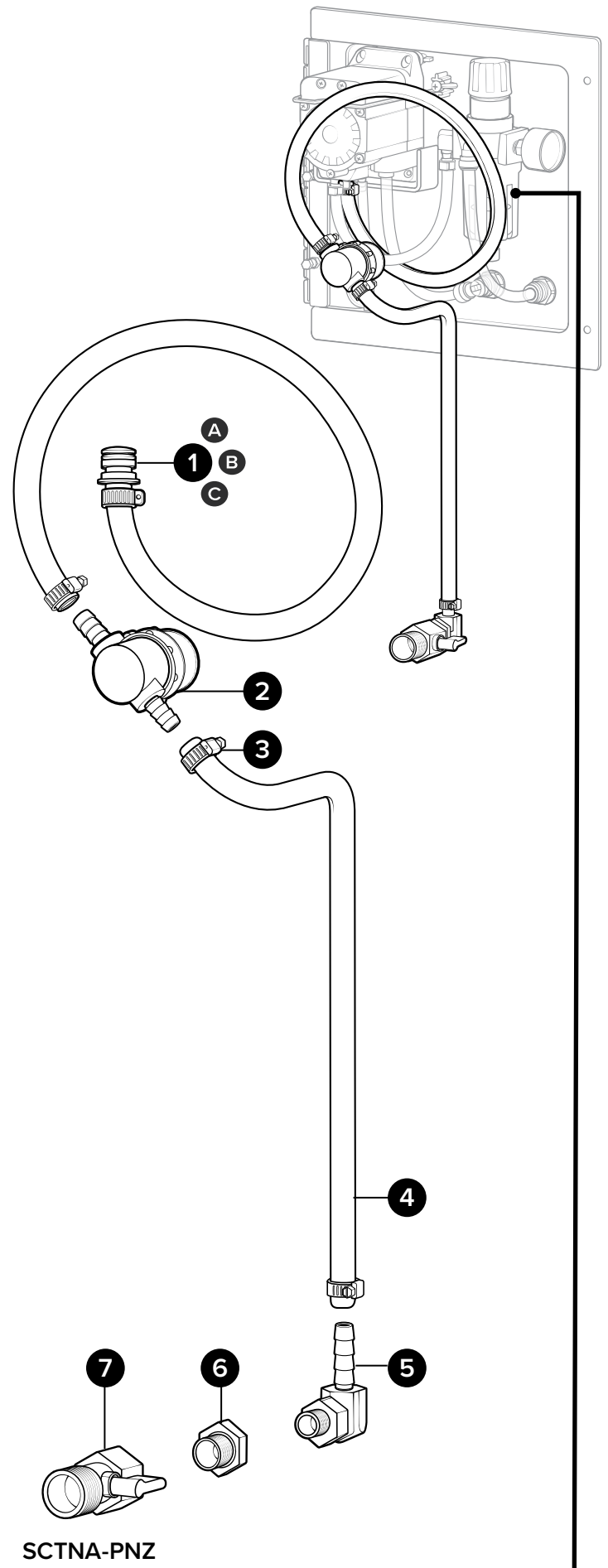
Suction assembly for portable fog units - includes suction valve, hose, in-line strainer, and pump hose barb - for Santoprene pump

Additional suction assembly options:

SCTNA-PNZK: Kalrez pump

SCTNA-PNZV: Viton pump

Item number	Description
1	A HB5638 Hose barb for P56 pump - EPDM o-ring
	B HB5638K Hose barb for P56K pump - Kalrez o-ring
	C HB5638V Hose barb for P56V pump - Viton o-ring
2	STR38-IL-80 In line strainer - 2x 3/8 hose barb - EPDM gasket - #80 mesh SS screen - gray bowl
3	SSC38 Screw band clamp - stainless steel - for 3/8 in. hose
4	H38BL-F 3/8 in. id blue hose - hybrid TPE - available per ft.
5	HBSEL1438 Hose barb - stainless steel - elbow - 1/4 in. MPT x 3/8 in. barb
6	HHPB3414 Hex head poly bushing 3/4 MPT x 1/4 FPT
7	BVPVC34MF Ball valve - PVC - 3/4 NPT to 3/4 FNPT Buna seal



SCTNA-PNZ

Nozzle Assembly

NZA-PNZX3-WMST:

Nozzle assembly - includes 3x pneumatic nozzles, tank mounting mast, bracket assembly, coiled twin line, and mounting hardware

NZA-PNZX3-WBRKT:

Nozzle bracket assembly - includes 3x pneumatic nozzles, mounting bracket, tubing, and fittings

Item number	Description
1 PNZ-N130	Pneumatic mixing nozzle - polypropylene body - Kynar tip - 3.7 gal/hr
2 EL14M14F	¼ FPT x ¼ MPT - polypro elbow
3 BRKT-MST-PNZX3	Bracket for mast mounting 3x PNZ nozzles - stainless steel
4 FW14NPT	Flat washer for ¼ in. NPT - stainless - 0.57 in. id x 1.28 in. od x 0.08 in. thk
5 QF1438	Quick fit - ¼ MPT x ⅜ od tube - polypropylene
6 TB38N-PE	⅜ in. od natural tube - polyethylene - available per ft.
7 QFT38	Union tee ⅜ in. tube polypropylene

Item number	Description
8 B5161858-VS	Bolt - ⅝-18 x ⅝ in. - stainless steel - truss head Phillips - Vibra-Seal
9 CTB38-15	⅜ in. od coiled twin line bonded blue and red tube - polyurethane - 15 ft. reach
10 B142058-VS	Bolt - ¼-20 x ⅝ in. - stainless steel - truss head Phillips - Vibra-Seal
11 MST-TNK	Telescoping mast for rotomolded tanks - bracket and hardware not included

NZA-PNZX3-WBRKT

